

ATENAS AL6350



Benefits

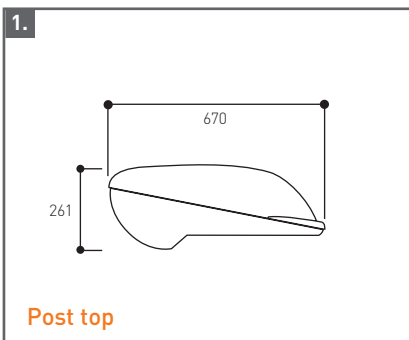
- High performance road optics within a contemporary stylish lantern
- Flat glass for minimum upward light
- Toughened flat glass 5mm thick
- Optional photocell
- Integral control gear

Features

- High pressure die cast aluminium body and door opening sealed to IP65
 - High pressure die cast aluminium upper and lower bodies; adjustable lamp holder providing different vertical and horizontal positions for optimised lamp performance. High purity one-piece aluminium reflector allowing spacing of up to four times column height
 - IP65 protection to both optics and control gear compartment
- Supplied as standard in RAL7011 lower section, RAL9006 upper section

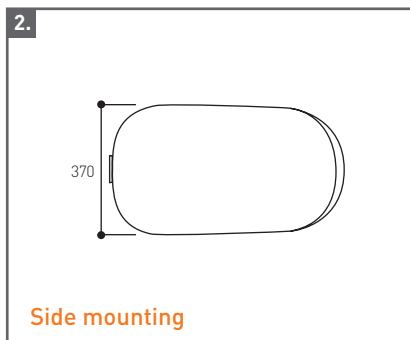
	Lamp wattage and type	Lamp holder	Description	Weight (Kg)*	Windage (m ²)
AL6351	70 SON-T; 70/100/150W MH	E27	Integral control gear	11.5	0.132
AL6352	100/150/250/400W SON-T 250/400W MH	E40	Integral control gear	12	0.132

Key features



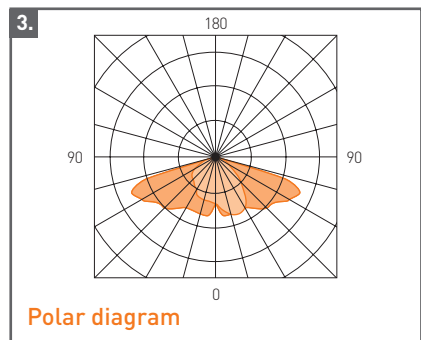
Mounting

Post top or side mounting onto 60mm column or spigot



Access

Tool free access by means of front opening clasp



Column options (post top)

8m	6m	5m
Fixed TB081/SP1	TB060/SP1	TB050/SP1
Base T081RLS/SP1	T061RLS/SP1	T051RLS/SP1