

BASE HINGED COLUMNS

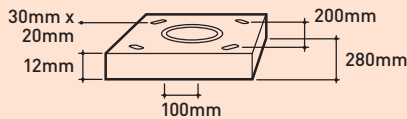
ALUMINIUM

4-6M BASE HINGED COLUMN Patent No: 968113

Designed to EN40. Finished bead blasted for a high quality look

Flange Plate

Type 0 FA000G Bolts/cross brace M16 x 500mm
FC020 Template



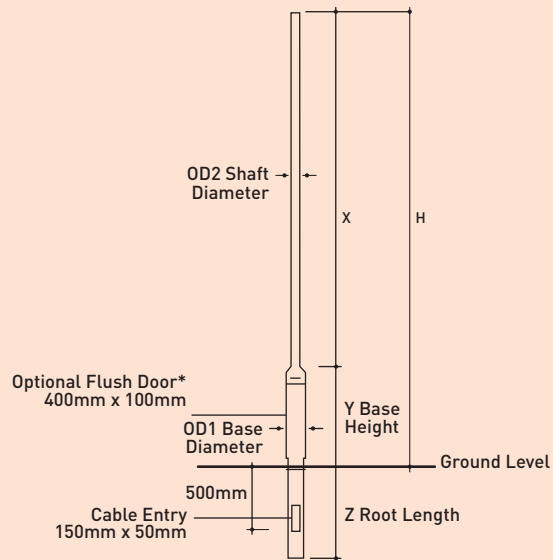
Accessories

XXSC003F Tamper resistant locking screw
XXSC003F Key for locking screw
ELSAB1/6A Single fuse cut-out, 6A, loop in/out (not fitted)
ELSAB12/6A Twin fuse cut-out, 6A, loop in/out (not fitted)

***Brackets**
Outreach brackets to suit customers' requirements can be supplied in the same material.

***Flush Door Option**
Flush door enables internal locking mechanism. Side fitted locking screw not required on this model. Add /FD suffix.

Column Dimensions



Root Mounted

Dimensions (mm)	Dimensions (mm)						Weight (kg)	OTM (KNm)	Shear (KN)	Min. Concrete Diameter*	Counterbalance Type & Max. Weight
Product Code	Height	OD1	OD2	x	y	z					
AL041RLS	4m	168	76	2890	1050	600	30	3.0	1.0	370	RLS168 - Yellow 18kg RLS168 - Red 38kg RLS168 - Blue 48kg
AL051RLS	5m	168	76	3875	1050	800	35	2.9	0.9	357	RLS168 - Yellow 10kg RLS168 - Red 27kg RLS168 - Blue 33kg
AL061RLS	6m	168	89	4860	1050	1200	39	2.8	0.9	188	RLS168 - Red 18kg RLS168 - Blue 24kg

*Root concrete diameter based on poor soil or better, min. 230kN/m²

Flange Plate Mounted

Dimensions (mm)	Dimensions (mm)					Flange Plate	Weight (kg)	OTM (KNm)	Shear (KN)	Concrete Dimension*	Counterbalance Type & Max. Weight
Product Code	Height	OD1	OD2	x	y						
AL041RLS /FP	4m	168	76	2890	1050	Type 0	26	3.0	1.0	650 x 750	RLS168 - Yellow 18kg RLS168 - Red 38kg RLS168 - Blue 48kg
AL051RLS /FP	5m	168	76	3875	1050	Type 0	30	2.9	0.9	650 x 750	RLS168 - Yellow 10kg RLS168 - Red 27kg RLS168 - Blue 33kg
AL061RLS /FP	6m	168	76	4860	1050	Type 0	34	2.8	0.9	650 x 750	RLS168 - Red 18kg RLS168 - Blue 24kg

*Concrete dimension based on a minimum ground bearing pressure of 150kN/m², (S = square dimension, H = depth)
For complete information on foundation options please refer to www.abacuslighting.com/foundation

COUNTERBALANCE UNITS

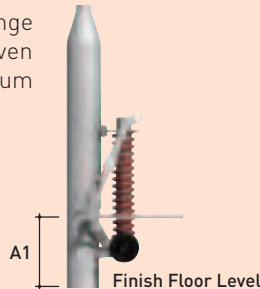
TO OPERATE LIGHT DUTY BASE HINGED RANGE

Spring Counterbalance - RLS168

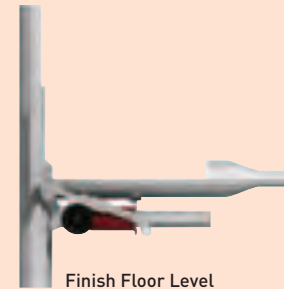
The spring unit, type RLS168, is available in a range of coloured springs. Each spring type has a given capacity, based on the column height and maximum safe working load.



Column key is inserted into the end of the operating lever. Column key item no.XXSC006F



Column Position = Raised, Docked and Locked



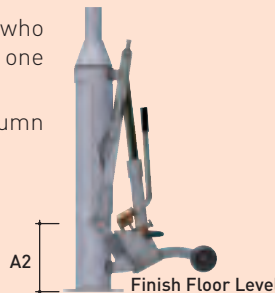
Column Position = Lowered, Un-docked and Un-locked

A1 Design height of the pivot above finished floor level is 300mm. If this distance is less than 230mm, difficulty in fitting counter balance will be experienced

Hydraulic Counterbalance - RLH168

This hydraulic unit is popular with companies who have multiple column heights and headloads on one site or over a number of sites.

The advantage is that it can operate the full column range regardless of height and headload.



Column Position = Raised, Docked and Locked



Column Position = Lowered, Un-docked and Un-locked

A2 Design height of the pivot above finished floor level is 300mm. If this distance is less than 250mm, difficulty in fitting counter balance will be experienced

Counterbalance Product Code	Column Height	Safe Working Load (kg)	Counterbalance Weights (kg)*
RLS168-yellow	4m, 5m	17, 10	22
RLS168-red	4m, 5m, 6m	27, 18, 10	23.5
RLS168-blue	6m, 8m	27, 18	25
RLS168-green	8m	17	26.5
RLH168	4m, 5m, 6m, 8m	27, 27, 28, 17	37.5**

*Weight includes operating lever only when used with the light duty base hinged column range

**Weight does not include operating lever (2.5kg for RLH168)

Column Carrier - RL900M

Features

The Abacus Column Carrier System has been designed to safely and conveniently move base hinged columns and guide them into position for installation with minimum effort.

- Designed specifically for the root mounted spring raise and lowering column up to 168Ø and a minimum 6m mounting height
- Enables a column to be safely transported to its installation location and provides a stable platform for the column to be worked on, prior to erection
- The column carrier can be used by one man for moving columns to the installation site
- The column can be lifted into place safely and easily by two men

Note: See page 16 for further images of the product

