

Abacus[®]
World Leaders in Lighting



Lightblade LED

Energy reduction is firmly at the top of the agenda for local authorities, public sector and private businesses as they strive to become carbon neutral. As lighting is one of the major uses of energy, savings in this sector will have proportionally the greatest impact.

The Lightblade LED lantern range is focused on providing a cost effective low energy solution to aid lighting designers meet their energy targets within viable financial payback periods.

The Abacus Advantage

We're not just about product supply, for over 50 years we've been helping our customers with design and planning all the way through to installation and LED is no different. We can help you with this new technology and guide you through which products are right for your scheme. We can calculate pay back periods on LED installations too.

Energy management

We can help in a variety of ways with energy management and intelligent controls, from dimming and zoning solutions through to wi-fi CMS systems. Coupling this with our LED products means you get super efficient lighting control, lower energy usage and lower carbon emissions.

Our team of electrical and lighting designers can design bespoke schemes for you to get the most out of your energy usage.



Chill -In →
Returns ↑
Chill -Out ↑
Bread-Out ↑
Frozen ↑
Exit ↑

Returns →
Out ↑
Out ↑
↑
↑

Lightblade LED



- Latest LED technology
- Long life and reduced maintenance compared to conventional HID sources
- 12 year Warranty
- Slim profile design capitalising on low profile LED modules
- Replaceable LED module
- Suitable for all road classifications
- Dimming and photocell options available for extended energy savings
- Suitable for use with CMS systems for advanced energy management
- Total solution package with Abacus columns, brackets and installation service

Light Source

1.2W high power LED
 5000K Coolwhite
 >70 CRI
 >90 lm/cw
 1% failure rate at 50,000 hours

Control Gear

350mA fixed output driver
 0.95 power factor
 110-277V 50-60Hz input voltage
 System life rating @ L70, Ta 55°C = >100,000 hours
 DALI and 1-10V dimming options available

Materials

Housing end fascia: Die cast aluminium, Pantone 400 polyester powder coat finish

Passive heat sink: Extruded anodised aluminium, self finish

Heat sink cover: Pressed aluminium, Pantone 400 polyester powder coat finish

Optics: Plexiglass high precision lens

Installation

Operation temperature range -20°C to +50°C
 5 step vertical adjustment, 5° increments
 Hinged access door
 Side entry mounting
 48mm - 60mm Ø spigot entry with double clamp
 76mm Ø post top adaptors available, see Abacus Lighting Column brochure for more details:

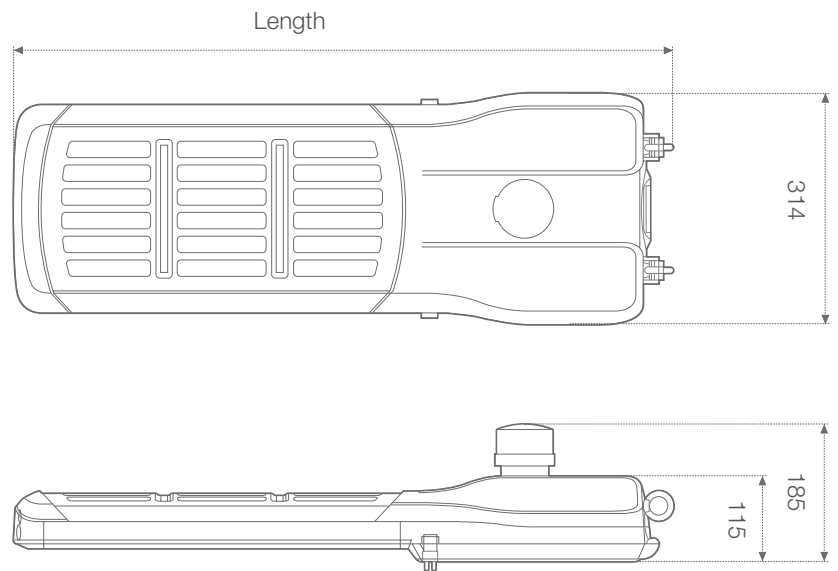
- PR2-01/S = Single arm
- PR2-01/D = Double arm

Elexon charge code reference available on request

Catalogue Numbers

Cat No.	Total Wattage	LED Qty	Luminaire Output	Weight	Windage	Recommended Mounting Height
AL6701	90W	80	8536lm	9.5kg	0.08m ²	6-8m
AL6751	140W	128	13500lm	13.5kg	0.09m ²	10-12m

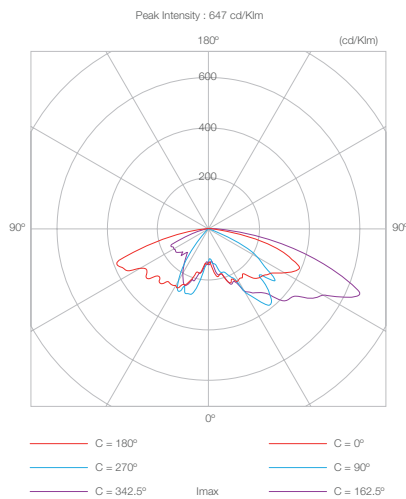
Dimensions



Part No.	Length (mm)
AL6701	728
AL6751	896

Photometric Performance

Lightblade LED 140W



Lightblade LED Mini



- Latest LED technology
- Long life and reduced maintenance compared to conventional HID sources
- 12 year Warranty
- Suitable for S Class and ME Class road applications
- Slim profile design capitalising on low profile LED modules
- Replaceable LED module
- 1-10V dimming and photocell options available
- Total solution package with Abacus columns, brackets and installation service

Light Source

1.2W high power LED
 5000K Coolwhite
 >70 CRI
 >90 lm/cw
 1% failure rate at 50,000 hours

Control Gear

350mA fixed output driver
 0.95 power factor
 110-277V 50-60Hz input voltage
 System life rating @ L70, Ta 55°C = >100,000 hours
 1-10V dimming options available

Materials

Housing end caps: Die cast aluminium, Pantone 400 polyester powder coat finish

Body & heat sink: Extruded anodised aluminium, self finish

Door plate: Pressed anodised aluminium cover, self finish

Optics: Plexiglass high precision lens

Installation

Operation temperature range -20°C to +50°C

Hinged door for ease of installation and maintenance

Side entry mounting

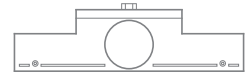
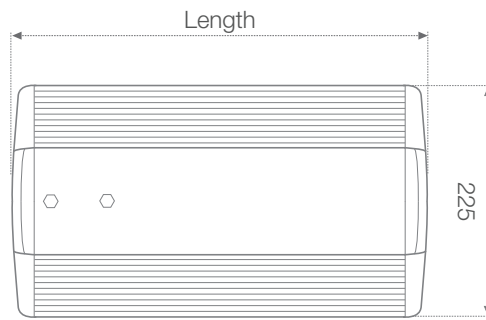
48mm Ø spigot entry with double fixing bolts

76mm Ø post top adaptors available, see Abacus Lighting Column brochure for more details:

- PR2-01/S = Single arm
- PR2-01/D = Double arm

Elaxon charge code reference available on request

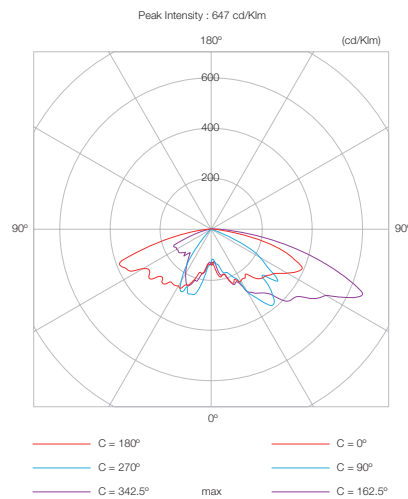
Dimensions



Part No.	Length (mm)
AL6601	394
AL6611	394
AL6621	534
AL6631	534

Photometric Performance

Lightblade LED Mini 30W



Catalogue Numbers

Cat No.	Total Wattage	LED Qty	Luminaire Output	Weight	Windage	Recommended Mounting Height
AL6601	30W	24	2700lm	4.2kg	0.09m ²	3-5m
AL6611	40W	32	3150lm	4.2kg	0.09m ²	3-5m
AL6621	60W	52	5400lm	5.6kg	0.12m ²	5-8m
AL6631	70W	60	5850lm	5.6kg	0.12m ²	5-8m



Abacus Lighting Ltd
Oddicroft Lane
Sutton-in-Ashfield
Nottinghamshire NG17 5FT
United Kingdom

Tel +44 (0)1623 511 111
Fax +44 (0)1623 552 133
Email sales@abacuslighting.com
Web www.abacuslighting.com



Conditions of sale

All goods supplied are subject to the company's general conditions of sale which are available on request.

Registered Office:

Oddicroft Lane, Sutton-in-Ashfield, Nottinghamshire, NG17 5FT, United Kingdom.
Registered in England No. 612235

Trade Descriptions

All descriptions represent only particulars of the goods to which they apply and do not form part of any contract. The company reserves the right to change specification without prior notification or public announcement.

© Copyright 2012
Abacus Lighting Limited
All rights reserved

