



ROAD LIGHTING

# CAMINO AM6500/AM6600



### Benefits

- Flexibility from two body options and up to 600W SON-T
- Sealed hydroformed anodised aluminium reflector with curved tempered glass bowl for added performance (IP66 optics)

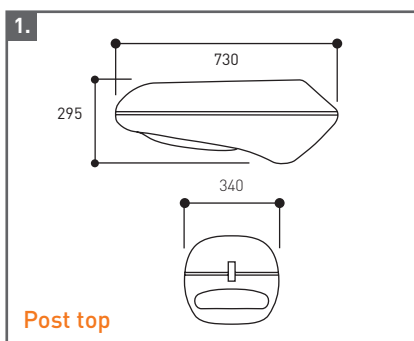
### Features

- Die-cast aluminium, with single recessed front clip (IP44 housing)
- Finished Light Grey polyester powder coating (RAL7035)
- Integral or remote control gear versions

	Lamp wattage and type	Lamp holder	Description	Weight (Kg)*	Windage (m <sup>2</sup> )
<b>AM6501</b>	70W SON-T	E27	Small body integral gear	12.0	0.15
	100W SON-T	E40		12.1	
	150W SON-T	E40		12.4	
	250W SON-T	E40		13.5	
	250W HQI-T	E40		13.5	
<b>AM6502</b>	70/100/150/250W SON-T	E40	Small body loose gear	9.1 <sup>†</sup>	0.15
	250W HQI-T	E40		9.1	
<b>AM6601</b>	150W SON-T	E40	Large body integral gear	15.9	0.20
	250W SON-T	E40		17.1	
	400W SON-T	E40		18.0	
	600W SON-T	E40		20.5	
	250/400W HQI-T	E40		18.0	
<b>AM6602</b>	150/250/400/600W SON-T	E40	Large body loose gear	12.8 <sup>†</sup>	0.20
	250/400W HQI-T	E40			

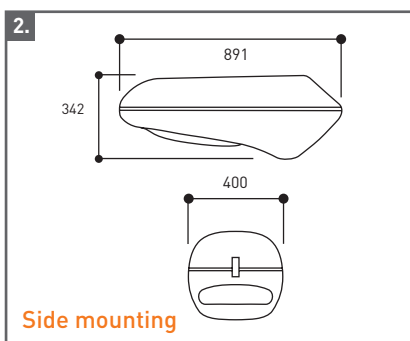
\*Weight excluding control gear

### Key features



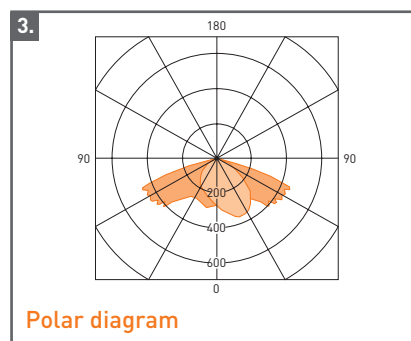
#### Mounting

Re-positionable and adjustable steel column clamping bracket for side entry (50mm/60mm) or post top fixing (60mm/76mm)



#### Access

Access to optics by releasing single recessed front clip and raising canopy



#### Column options (post top)

	10m	8m	5m
Fixed	TB108	TB08.SP1	TB050
Base	T107RLS	T081RLS.SP1	T051RLS

All dimensions are in mm. \*Max in range.

For column and bracket options, consult the Abacus Lighting column brochure