

CASSIOPEIA AL3950



Benefits

- Distinct contemporary styling lends itself to a wide range of urban environments

Features

- Lighting head comprises of a cast aluminium unit and front bezel, incorporating a brightened spun aluminium reflector
- Cast aluminium support arms carrying the upper reflector canopy
- Upper reflector canopy incorporates the Heper® Secondary Reflector System, a multifaceted reflector which provides precise control of reflected light
- Post top mounted on to a stylised galvanised column finished polyester powder coated in RAL9007 Gunmetal

Note: column height as stated is total height, to the upper lantern canopy

Colours

- RAL9007 Gunmetal

	Lamp wattage and type	Lamp holder	Description	Weight (Kg)*	Windage (m²)*
AL3952	150W HCI-T	G12	Heper® Secondary Reflector Integral Control Gear System	19.5	0.18

*Max in range.

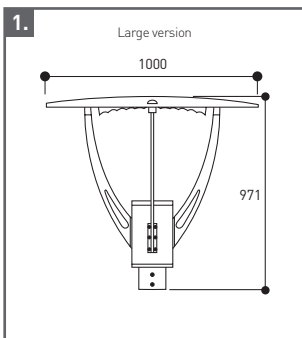


Column options

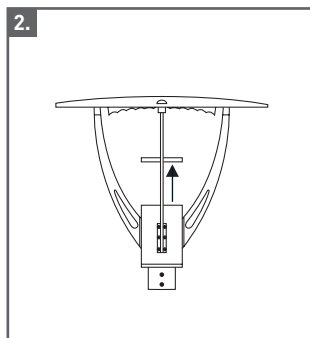
	6m	5m	4m		6m	5m	4m
Fixed				Shaft diameter (mm) Root length (mm) Flange plate (circular) (mm) Door opening (mm) (80mm clear width) Cable entry (root) (mm)	127	127	127
Straight Tubular					S061/AL3950/9007	S051/AL3950/9007	S041/AL3950/9007
Accessories					ELS987/6A Single phase, cut-out, 6A, termination plate up to 10mm ² loop in/out Dimensions 68mm(W), 53m(D), 170mm(H)		
Column hot dip galvanised and polyester powder coated to RAL9007 Gunmetal.					1000	800	800
					290 Type 0	290 Type 0	290 Type 0
				400 x 100	400 x 100	400 x 100	
				150 x 50	150 x 50	150 x 50	



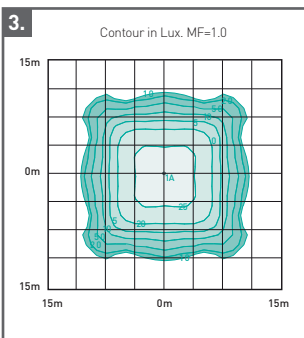
Key features



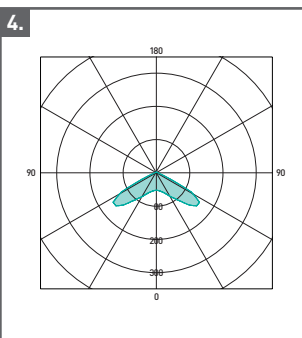
Dimensions & Mounting
 60mm/114mm spigot
 Mounting height:
 4m – 6m



Maintenance
 Access the lamp and control gear by removing glass cover



AL3952
 150W HCI-T
 Mounting height: 5m



AL3952
 150W HCI-T
 Mounting height: 5m

All dimensions are in mm.

Full photometry available on our website www.abaculighting.com