



FLOODLIGHTING

CHALLENGER® 3 AL5900

IP66



Benefits

- The Challenger 3 delivers an optically precise symmetrical beam specifically designed and suited to stadium floodlighting requirements

Technical Features

- Body of high pressure die cast aluminium, finished in light grey (RAL7035), polyester powder coating
- Reflector system of high purity, polished and anodised aluminium. Incorporating an internal baffle to improve efficiency and reduce glare
- Toughened front glass, secured by cast aluminium front frame
- Galvanised steel stirrup, with additional elevation locking screws
- Electrical connection box (IP66) housing ignitor, located on side of stirrup, fitted with 2 x Gore™ membrane breathers

- Designed to accept double ended, short arc 2kW or 1kW metal halide lamps
- Dual provision on side of floodlight body to attach gun sight aiming device to allow accurate beam alignment (AL5931)
- Easy access for re-lamping via opening of the rear cover. Positive closure via large stainless steel catch

Options

Half concentric louvre (AL5921) or single blade visor (AL5922) to reduce light pollution. Gun sight aiming kit, incorporating gun sight and bracket (AL5931)



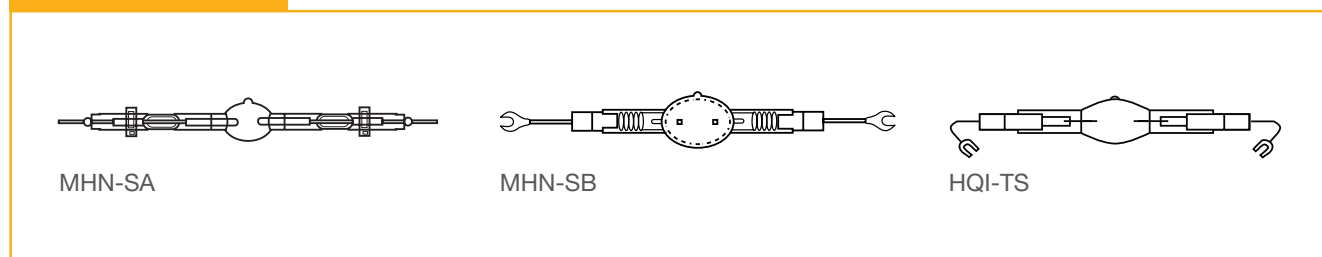
Technical Specifications

	Beam Type	Lamp: Manufacturer Product Code	Lamp Manufacturer	Lamp: Abacus Product Code	Lampholder Type
AL5901	Narrow	2kW: HQI-TS 2000WDS	Osram	LPW2000M/D	K12s-7 cable
AL5902	Medium	2kW: HQI-TS 2000WDS	Osram	LPW2000M/D	K12s-7 cable
AL5903	Wide	2kW: HQI-TS 2000WDS	Osram	LPW2000M/D	K12s-7 cable
AL5904	Narrow	1kW: HQI-TS 1000WDS	Osram	LPW1000MB/L	K12s-7 cable
AL5905	Medium	1kW: HQI-TS 1000WDS	Osram	LPW1000MB/L	K12s-7 cable
AL5906	Wide	1kW: HQI-TS 1000WDS	Osram	LPW1000MB/L	K12s-7 cable
AL5907	Narrow	MHN-SA 2KW 400V /956	Philips	LPP2000MHN-SA	XW UNP
AL5908	Medium	MHN-SA 2KW 400V /956	Philips	LPP2000MHN-SA	XW UNP
AL5909	Wide	MHN-SA 2KW 400V /956	Philips	LPP2000MHN-SA	XW UNP
AL5910	Extra Narrow	MHN-SA 2KW 400V /956	Philips	LPP2000MHN-SA	XW UNP
AL5911	Narrow	MHN-SB/HO 2KW 400V /956	Philips	LPP2000MHN-SB	K12s-7 WH UNP
AL5912	Medium	MHN-SB/HO 2KW 400V /956	Philips	LPP2000MHN-SB	K12s-7 WH UNP
AL5913	Wide	MHN-SB/HO 2KW 400V /956	Philips	LPP2000MHN-SB	K12s-7 WH UNP
AL5914	Extra Narrow	MHN-SB/HO 2KW 400V /956	Philips	LPP2000MHN-SB	K12s-7 WH UNP

ELECTRONIC CONTROL GEAR AVAILABLE

Please request when quoting and ordering.

Lamp references



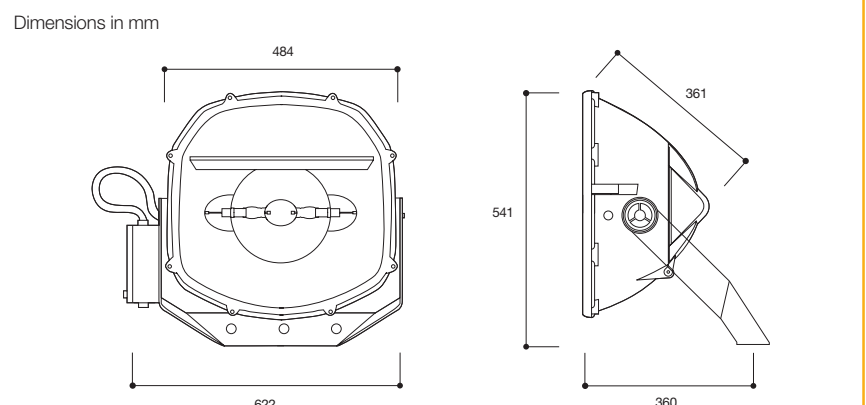
Lamp Manufacturer & Lamp Ref.	Lamp Wattage	Colour Temp	RA:	Lamp Lumen Output: (Initial lm)	Lamp Current:	Supply Voltage	Total Circuit Power:
Philips MHN-SB 2000W/956	2kW	5600K	90	200,000 l.lm	11.5A	380/400/415V	2136W
Philips MHN-SB/HO 2000W/956	2kW	5600K	90	220,000 l.lm	11.5A	380/400/415V	2136W
MHN-SA 2000W/956	2kW	5600K	90	200,000 l.lm	11.3A	380/400/415V	2136W
Osram HQI-TS2000/D/S	2kW	5900K	93	200,000 l.lm	11.5A*	380/400/415V	2105W
HQI-TS1000/D/S	1kW	5900K	90	90,000 l.lm	9.4A	380/400/415V	1040W

*Measured on a 10.3A ballast.

Technical information may alter dependent on control gear used



Dimensions



Mounting:
 Stirrup mounted using M20 fixing
 Stirrup adjustment +/- 140°
 No baffle in extra narrow version

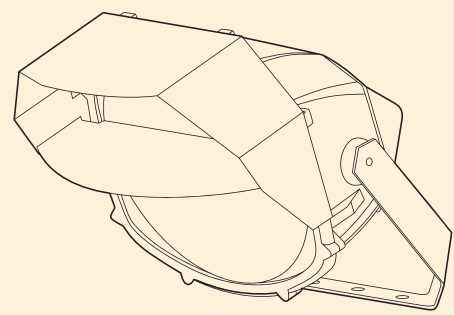
Weight: 15kg. **Front wind area:** 0.196m²
 at 70° elevation

Maintenance

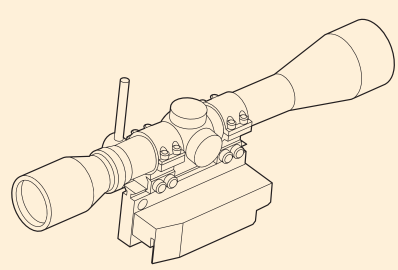


Easy Maintenance:
 Access to the lamp by means of opening the rear door

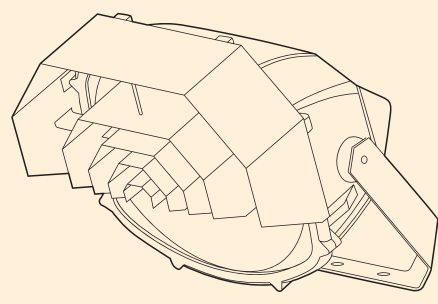
Accessories



Single blade louvre – AL5922
 This accessory for the Challenger 2 & 3 minimises upward light while maintaining good vertical lighting levels on the playing field



Aiming tool kit – AL5931
 Set of equipment and instructions to enable the Challenger 2 & 3 to be aimed with pinpoint accuracy to a specific point on the design area. Allows the highest level of control over the aiming and commissioning part of a floodlighting project

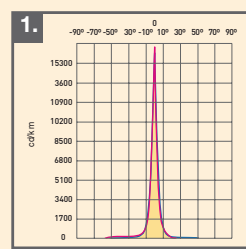


Half concentric louvre – AL5921
 This accessory for the Challenger 3 provides the highest level of upward light and overspill control

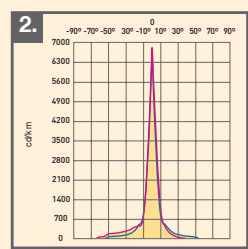


Challenger 3 with louvres

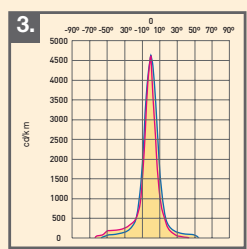
Key features



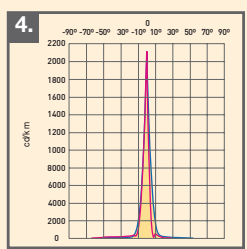
AL5911
 MHN-SA Pro 2kW
 Narrow beam



AL5912
 MHN-SB Pro 2kW
 Medium beam



AL5913
 MHN-SB Pro 2kW
 Wide beam



AL5914
 MHN-SB Pro 2kW
 Extra narrow beam