

# CLASSIQUE AL1000



## Benefits

- High performance bollard with excellent light distribution
- Extensively tested for vandal resistance
- Highly versatile with a wide range of applications from parks to security

## Features

- Die-cast aluminium head unit with clear polycarbonate outer tube
- Bollard shaft of steel CHS tube
- Bollard shaft and head unit castings are finished in black, textured polyester coating
- Louvred light controller of pressed aluminium satin finish
- Integral control gear
- Symmetrical lighting distribution
- Supplied for root mounting as standard, with the option of flange plate fixing
- Mounting height 0.9m

## Access

Access the lamp and control gear by removing the head unit (secured by 3 x M8 socket head concealed screws)

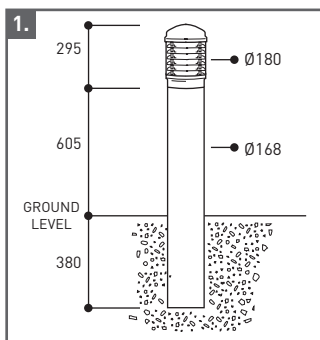
## Colours

- Black
- Silver



	Lamp wattage and type	Lamp holder	Description	Weight (Kg)
<b>AL1012</b>	20/23W DULUX EL 50/80W HQL 50/70W SON-E	E27 E27 E27	Bollard: satin louvres integral gear	n/a

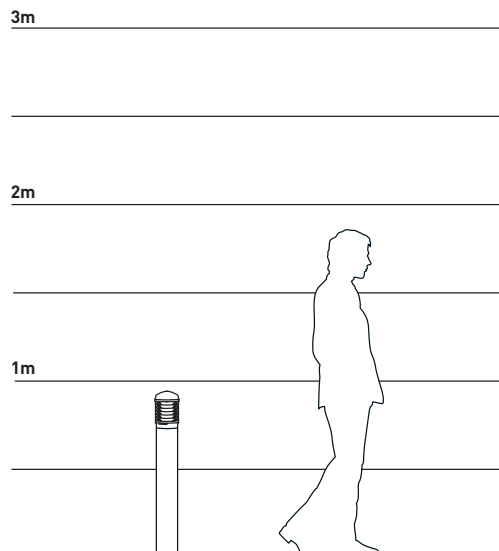
## Key features



### Mounting

Supplied for root mounting as standard. Flange plate fixing available  
Mounting height: 0.90m

## Mounting height (m)



**This could work for you**

To find out more visit:  
[www.abacuslighting.com](http://www.abacuslighting.com)

All dimensions are in mm.