

CONCEPT® HIGH CONE AL8040



Benefits

- High performance and versatility
- 0% ULOR with the flat glass option
- End of life refurbishment

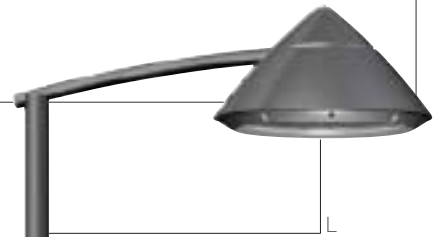
Features

- Aluminium canopy and trim finished in durable, polyester powder coating
- Die-cast aluminium central chassis designed to accept multiple bracket options
- Highly polished, anodised aluminium reflector
- GRP decorative bezel finished in silver
- Polycarbonate bowl with low profile styling or flat glass version for low light pollution applications

- Offered with the 8m, 6m and 5m height High Cone contemporary column
- Electronic control gear up to 150W
- Central chassis module sealed to IP65
- Accepts up to 250W metal halide or high pressure sodium lamps
- Integral control gear up to 150W (excluding 50° variable beam)

Colours

- RAL9005 Black
- RAL9007 Gunmetal
- RAL9006 Silver
- RAL9003 White
- RAL3020 Red
- Interpon 610 Blue



High Cone Single Arm
CHC/S/XX/76 or 89
L = 400-800mm

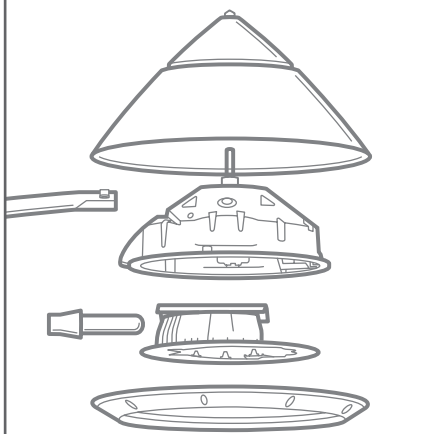


High Cone Twin Arm
CON/D/XX/76 or 89
L = 400-1000mm



High Cone Single Arm Wall
CHCW/XX
L = 400-800mm

High Cone canopy



High Cone Exploded View

The Concept High Cone lantern comprises a canopy, reflector and bezel with flat glass or low profile bowl. The chassis construction allows it to be fully refurbished with different canopies to adapt to changing styles or applications and the redundant parts can be recycled or reused, to help compliance with the WEEE Directive.

Variable Beam Reflector



Variable Beam Reflector

The innovative, patented Variable Beam Reflector is at the heart of the success of the Concept lantern. Its unique design incorporates a series of highly polished and anodised reflector segments; these can be positioned in a variety of positions to deliver four beam options for optimum lighting results across a range of applications.

- 5° axial or elongated lighting distribution ideal for pathways
- 15° road lighting distribution
- 30° oblong light distribution or square distribution when mounted in a twin lantern arrangement
- 50° forward throw to light wide areas

	Lamp wattage and type	Lamp holder	Description	Weight (Kg)*	Windage (m²)
AL8041	70/100/150/250W ⁺ SON/HQI	E27/E40	Low profile bowl Variable Beam Reflector	14.86	0.11
AL8042	70/100/150/250W SON/HQI	E27/E40	Flat glass Variable Beam Reflector	15.80	0.12

⁺250W Remote gear. *Max in range.



Column and bracket options

Choose between fixed and base hinged

	8m	6m	5m		8m	6m	5m
Fixed	TB081/Hi-CONE	TB060/Hi-CONE	TB050/Hi-CONE	Base diameter (mm)	168	140/168	140/168
Base	T081RLS	T061RLS	T051RLS				
Single	CHC/S/XX/89	CHC/S/XX/76	CHC/S/XX/76	Shaft diameter (mm)	89	76	76
Twin	CON/D/XX/89	CON/D/XX/76	CON/D/XX/76				
Single Wall	-	-	CHCW/XX	Base height (mm)	1250	1250	1250
Accessories							
ELS955/8	Single phase, cut-out, 6A, termination plate			Flange plate (mm)	Type 1	Type 0	Type 0
ELS955/9	Twin fuse cut-out, 6A, termination plate						
AL8040PC	Photocell option, miniature, two part up to 150W			Root length (mm)	1200	1000	800
Columns and brackets finished hot dip galvanised then spray painted with 2-pack acrylic coat. Wet finish 190 microns.							
				Door opening (mm)	600 x 115	500 x 100	500 x 100



Key features

<p>1.</p>	<p>2.</p>	<p>3. Contour in Lux. MF=1.0</p>	<p>4. Contour in Lux. MF=1.0</p>	<p>5. Contour in Lux. MF=1.0</p>	<p>6. Contour in Lux. MF=1.0</p>
<p>Dimensions & Mounting All bracket options offered with an outreach of 500mm – 1000mm</p>	<p>Maintenance Access the lamp and control gear by lowering the bezel (secured by ¼ turn fasteners)</p>	<p>5° Single Concept® Lantern 150W SON-PT Mounting height: 8m</p>	<p>15° Single Concept® Lantern 150W SON-PT Mounting height: 8m</p>	<p>30° Single Concept® Lantern 150W SON-PT Mounting height: 8m</p>	<p>50° Single Concept® Lantern 150W SON-PT Mounting height: 8m</p>

All dimensions are in mm.