

# LIGHT DUTY with integral projection arm

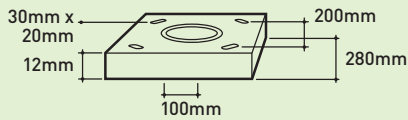
## 5-6M TUBULAR STEEL

Designed to EN40. Hot dip galvanised to BS EN1461:1999. Manufactured in steel tube to EN10210



### Flange Plate

**Type 0** FA000G Bolts/cross brace M16 x 500mm  
FC020 Template



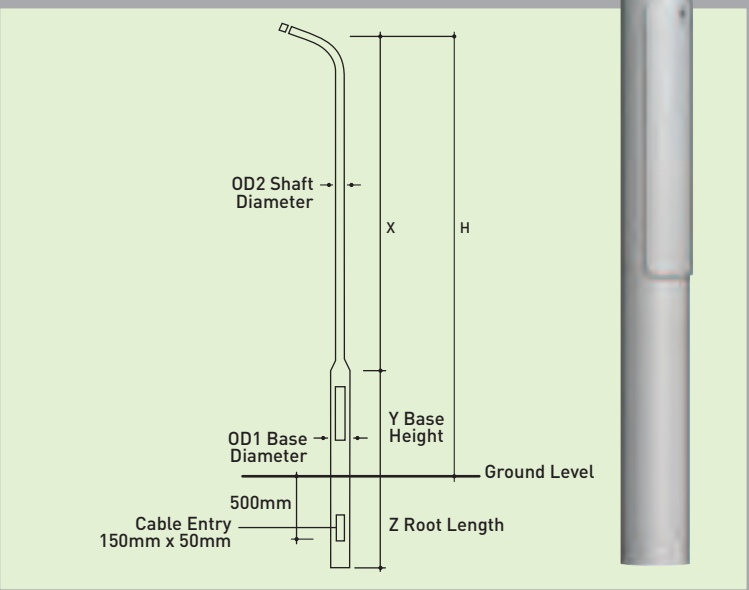
### Integral Projection Arm



### Accessories

ELSAB1/6A Single fuse cut-out, 6A, loop in/out (not fitted)  
ELSAB12/6A Twin fuse cut-out, 6A, loop in/out (not fitted)

### Column Dimensions



### Root Mounted

Product Code	Height	OD1	OD2	x	y	z	Door Opening	Weight (kg)	OTM (KNm)	Shear (KN)	Min. Concrete Diameter*
TB0504	5m	140	76	3750	1250	800	500x100	43	5.0	1.3	607
TB0604	6m	140	76	4750	1250	1000	500x100	50	4.8	1.1	307

\*Root concrete diameter based on poor soil or better, min. 230kN/m<sup>2</sup>

### Flange Plate Mounted

Product Code	Height	OD1	OD2	x	y	Door Opening	Flange Plate	Weight (kg)	OTM (KNm)	Shear (KN)	Concrete Dimension*
TB0504/FP	5m	140	76	3750	1250	500x100	Type 0	43	5.0	1.3	750 x 800
TB050/FP	5m	140	76	4750	1250	500x100	Type 0	50	4.8	1.1	750 x 800

\*Concrete dimension based on a minimum ground bearing pressure of 150kN/m<sup>2</sup>, (S = square dimension, H = depth)

For complete information on foundation options please refer to [www.abacuslighting.com/foundation](http://www.abacuslighting.com/foundation)

### Column Headload Capacity (m<sup>2</sup>) - Based on UK rationalised wind loading factors for EN40

Product Code	Lantern Mounting/ Projection	Max. Head Load (kg)	Light 396	Medium 429	Heavy 466	Very Heavy 576
TB0504	0.30	10	0.835	0.759	0.686	0.529
	0.75	10	0.651	0.591	0.534	0.41
TB0604	0.30	10	0.586	0.509	0.453	0.332
	0.75	10	0.474	0.421	0.371	0.263

For complete information on column headloads refer to [www.abacuslighting.com/columns.asp](http://www.abacuslighting.com/columns.asp)