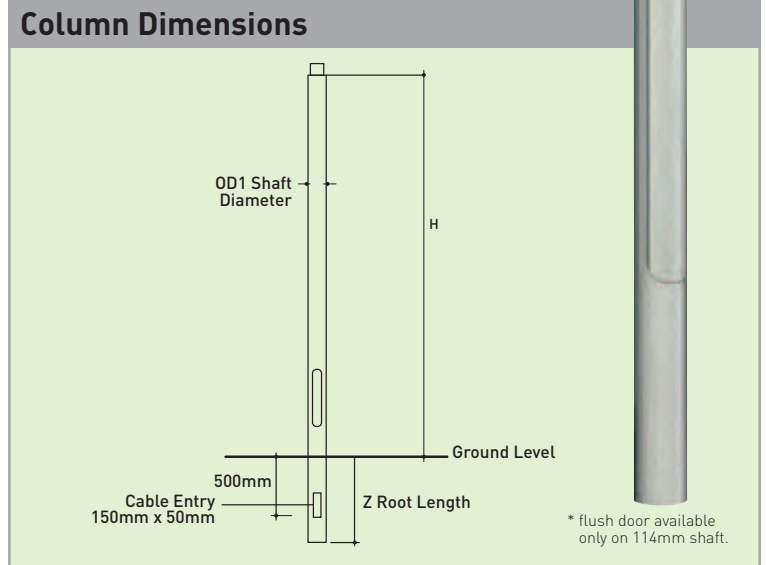
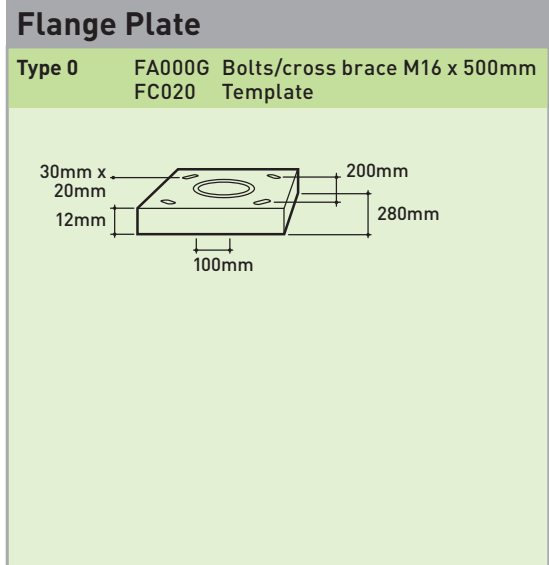


# STRAIGHT TUBULAR

## 3-6M TUBULAR STEEL

Designed to EN40. Hot dip galvanised to BS EN1461:1999. Manufactured in steel tube to EN10210



### Root Mounted

Product Code	Height	OD1	Internal Dimensions	Internal Dimensions	z	Door Opening	Weight (kg)	Min. Concrete Diameter*
S030	3m	60	-	-	600	-	16	400
S040	4m	60	-	-	800	-	21	400
S040/114/FD†	4m	114	60	84	800	380 x 65	38	500
S050	5m	60	-	-	800	-	26	400
S050/114/FD†	5m	114	60	84	800	380 x 65	48	500
S060	6m	76	-	-	1000	-	38	400
S060/114/FD†	6m	114	60	84	1000	380 x 65	58	500

\*Root concrete diameter based on poor soil or better, min. 230kN/m<sup>2</sup>

†Top reduction spigot available to suit lantern

### Flange Plate Mounted

Product Code	Height	OD1	Internal Dimensions	Internal Dimensions	Door Opening	Flange Plate	Weight (kg)	Concrete Dimension*
S030/FP	3m	60	-	-	-	Type 0	21	650 x 750
S040/FP	4m	60	-	-	-	Type 0	26	650 x 750
S040/114/FPFD†	4m	114	60	84	380x65	Type 0	39	750 x 800
S050/FP	5m	60	-	-	-	Type 0	31	650 x 750
S050/114/FPFD†	5m	114	60	84	380x65	Type 0	49	750 x 800
S060	6m	76	-	-	-	Type 0	41	650 x 750
S060/114/FPFD†	6m	114	60	84	380x65	Type 0	59	750 x 800

\*Concrete dimension based on a minimum ground bearing pressure of 150kN/m<sup>2</sup>, (S = square dimension, H = depth)

†Top reduction spigot available to suit lantern

For complete information on foundation options please refer to [www.abacuslighting.com/foundation](http://www.abacuslighting.com/foundation)