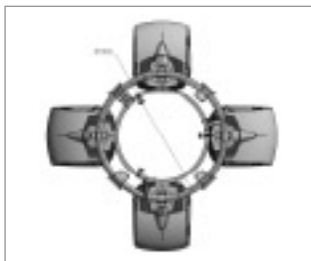
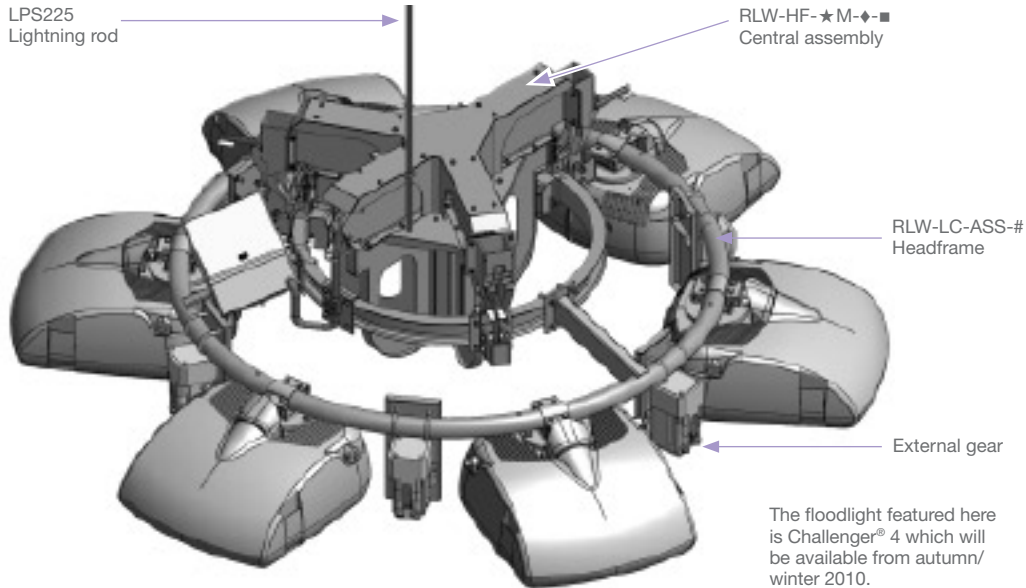
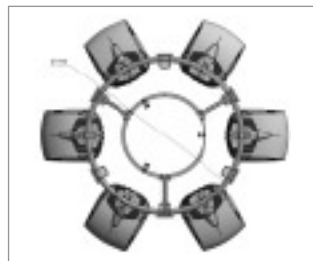


Headframe options with external gear



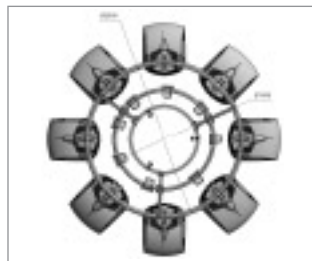
**Lowering headframe
x4 floods
symmetrical external gear**

Product code	RLW-LC-ASS-1
Diameter	1200mm
Central assembly	RLW-HF-★M-◆-■
Total headframe area	2m ²
Winch capacity	275Kg



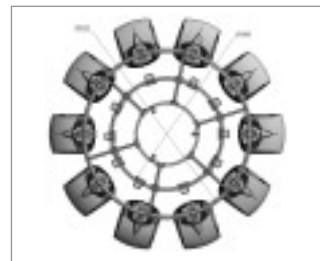
**Lowering headframe
x6 floods
symmetrical external gear**

Product code	RLW-LC-ASS-2
Diameter	1700mm
Central assembly	RLW-HF-★M-◆-■
Total headframe area	2.6m ²
Winch capacity	550Kg



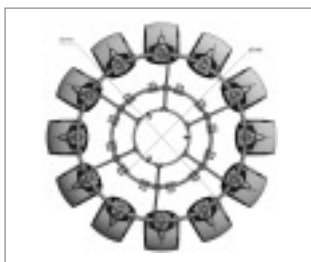
**Lowering headframe
x8 floods
symmetrical external gear**

Product code	RLW-LC-ASS-3
Diameter	2000mm
Central assembly	RLW-HF-★M-◆-■
Total headframe area	3.3m ²
Winch capacity	550Kg



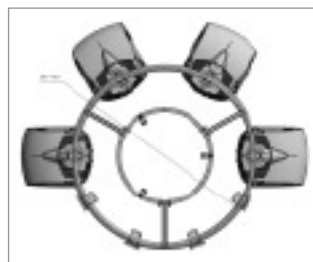
**Lowering headframe
x10 floods
symmetrical external gear**

Product code	RLW-LC-ASS-4
Diameter	2400mm
Central assembly	RLW-HF-★M-◆-■
Total headframe area	3.9m ²
Winch capacity	550Kg



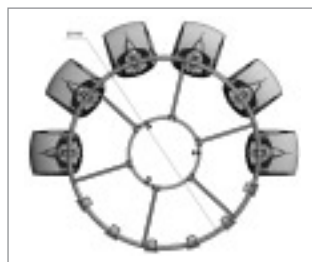
**Lowering headframe
x12 floods
symmetrical external gear**

Product code	RLW-LC-ASS-5
Diameter	2700mm
Central assembly	RLW-HF-★M-◆-■
Total headframe area	4.5m ²
Winch capacity	550Kg



**Lowering headframe
x4 floods
asymmetrical external gear**

Product code	RLW-LC-ASS-6
Diameter	1700mm
Central assembly	RLW-HF-★M-◆-■
Total headframe area	2.1m ²
Winch capacity	275Kg



**Lowering headframe
x6 floods
asymmetrical external gear**

Product code	RLW-LC-ASS-7
Diameter	2400mm
Central assembly	RLW-HF-★M-◆-■
Total headframe area	2.8m ²
Winch capacity	550Kg



**Lowering headframe
x8 floods
asymmetrical external gear**

Product code	RLW-LC-ASS-8
Diameter	2700mm
Central assembly	RLW-HF-★M-◆-■
Total headframe area	3.3m ²
Winch capacity	550Kg

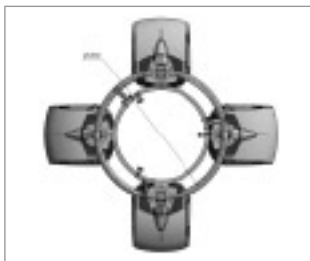
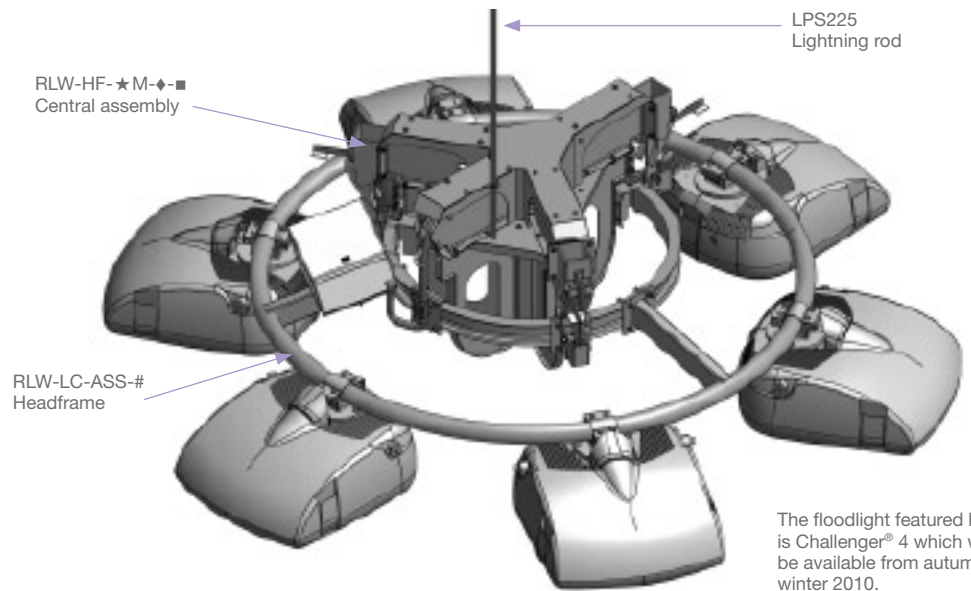
Note:

★ = Mast height in meters

◆ = Add 18C for an 18 core cable or 25C for a 25 core cable

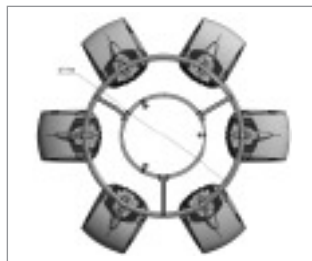
■ = NL not latched or L for latching e.g. 35m mast with an 18 core cable and latching RLW-HF-35M-18C-L

Headframe options with internal gear



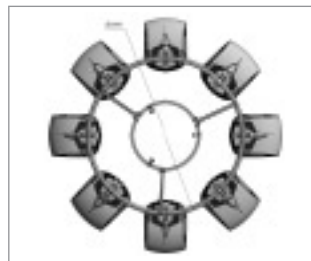
**Lowering headframe
x4 floods
symmetrical internal gear**

Product code	RLW-LC-ASS-9
Diameter	1200mm
Central assembly	RLW-HF-★M-◆-■
Total headframe area	1.5m ²
Winch capacity	275Kg



**Lowering headframe
x6 floods
symmetrical internal gear**

Product code	RLW-LC-ASS-10
Diameter	1700mm
Central assembly	RLW-HF-★M-◆-■
Total headframe area	1.9m ²
Winch capacity	275Kg



**Lowering headframe
x8 floods
symmetrical internal gear**

Product code	RLW-LC-ASS-11
Diameter	2000mm
Central assembly	RLW-HF-★M-◆-■
Total headframe area	2.3m ²
Winch capacity	550Kg



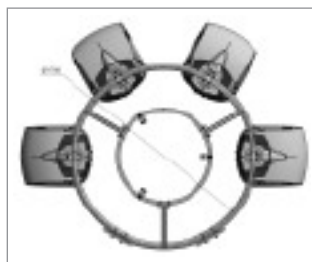
**Lowering headframe
x10 floods
symmetrical internal gear**

Product code	RLW-LC-ASS-12
Diameter	2400mm
Central assembly	RLW-HF-★M-◆-■
Total headframe area	2.7m ²
Winch capacity	550Kg



**Lowering headframe
x12 floods
symmetrical internal gear**

Product code	RLW-LC-ASS-13
Diameter	2700mm
Central assembly	RLW-HF-★M-◆-■
Total headframe area	3m ²
Winch capacity	550Kg



**Lowering headframe
x4 floods
asymmetric internal gear**

Product code	RLW-LC-ASS-14
Diameter	1700mm
Central assembly	RLW-HF-★M-◆-■
Total headframe area	1.8m ²
Winch capacity	275Kg



**Lowering headframe
x6 floods
asymmetric internal gear**

Product code	RLW-LC-ASS-15
Diameter	2400mm
Central assembly	RLW-HF-★M-◆-■
Total headframe area	2.5m ²
Winch capacity	550Kg



**Lowering headframe
x8 floods
asymmetric internal gear**

Product code	RLW-LC-ASS-16
Diameter	2700mm
Central assembly	RLW-HF-★M-◆-■
Total headframe area	2.8m ²
Winch capacity	550Kg

Note:

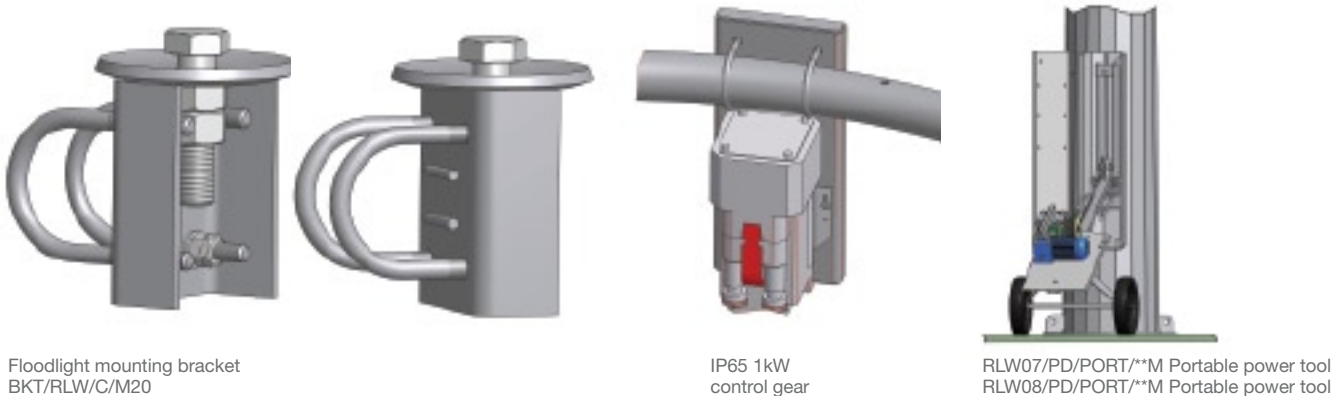
★ = Mast height in meters

◆ = Add 18C for an 18 core cable or 25C for a 25 core cable

■ = NL not latched or L for latching e.g. 35m mast with an 18 core cable and latching RLW-HF-35M-18C-L

Accessory products

Product code	Description
BKT/RLW/C/M20 or M12	Bracket for floodlight with stirrup, with M20 or M12 fixing bolt
RLW07/PD/A	Power tool & torque limiter for single drum 275kg winch
RLW07/PD/1A	Power tool & torque limiter for single drum 550kg winch
RLW08/PD/DW/A	Power tool & torque limiter for double drum 1000kg winch
RLW07/PD/PORT/**M	Portable power tool and 275kg winch mounted on a mobile trolley. For multiple mast installations, no winch is mounted in mast base, thereby reducing costs.
RLW08/PD/PORT/**M	Portable power tool and 550kg winch mounted on a mobile trolley. For multiple mast installations, no winch is mounted in mast base, thereby reducing costs.
RLW07/HANDLE/ASSY	Manual Crank Handle with Torque Limiter for 275kg Winch
LPS225	Lightning rod, copper, 1000mm(h), to fix to canopy of mast (M16 fixing)
BALAPF1kW	Abacus 1kW encapsulated control gear, IP65, to be selected in combination with Abacus floodlight (240v)
RLW-SUP-BKT	Set of 3 brackets to support headframe when lowered for maintenance



Multicore electric cable

A single multicore cable is supplied with each central assembly in the mast. This reduces the risk of multiple electric cables becoming entangled inside the mast over a period of time.

A standard 18-core cable, sufficient to provide enough cores for up to 8 floodlights.

A standard 25-core cable, sufficient to provide enough cores for up to 12 floodlights.

