

MURA AL5320

IP66



Benefits

- Maximum 150W floodlight with smart and compact styling suitable for smaller applications and indoor areas
- Flat glass, dark skies friendly
- Sealed to IP66 and coated in all-weather and corrosion resistant polyester powder
- Three reflector options to adapt to wide range of applications
- Tool free access by releasing the aluminium top clamp bar for quick and simple servicing
- Wide cooling fins incorporated in the body dissipate heat effectively
- Accessories include fixed and adjustable wall brackets, protection grid and louvre

Technical Features

- Body in die cast aluminium and polyester powder coated
- 4mm tempered glass

- Double asymmetric, narrow symmetric and asymmetric reflector options
- Heat resistant silicon gasket sealed
- Galvanised steel stirrup with M10 central bolt hole
- Integral gear
- 70W and 150W options
- Choice of high pressure sodium or metal halide lamps

Accessories

- Protection grid
- Louvre
- Fixed wall bracket
- Adjustable wall bracket

Colours

- RAL9006 Silver
- RAL9005 Black



	Lamp Watts	Lamp Type	Lamp Holder	Description	Weight (Kg)
AL5321	70W	SON-TD / HQI-TS	RX7s	Symmetric Beam	4.6
	150W			Integral Control Gear	5.5
AL5322	70W	SON-TD / HQI-TS	RX7s	Double Asymmetric Beam	4.6
	150W			Integral Control Gear	5.5
AL5323	70W	SON-TD / HQI-TS	RX7s	Asymmetric Beam	4.6
	150W			Integral Control Gear	5.5
AL5324	70W	SONP-T	E27	Integral Control Gear	4.6
	150W	SONP-T / HQI-T			5.5
AL5325	70W	HCI-T	G12	Symmetric Beam	4.6
	150W			Integral Control Gear	5.5



Accessories



AL5395
Protection grid



AL5396
AL5396/B
Fixed wall bracket



AL5397
AL5397/B
Adjustable wall bracket

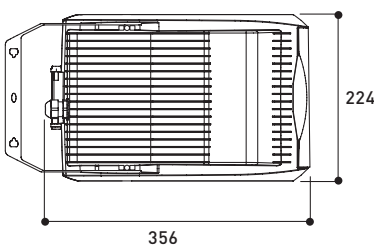
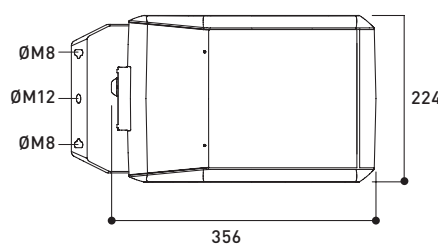
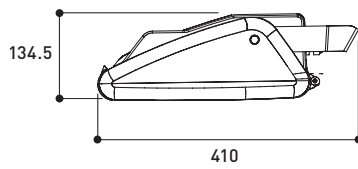


AL5398
AL5398/B
Louvre

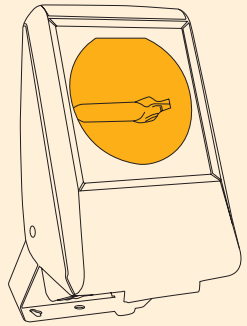
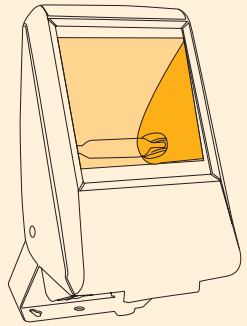
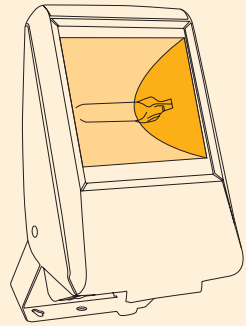


Dimensions

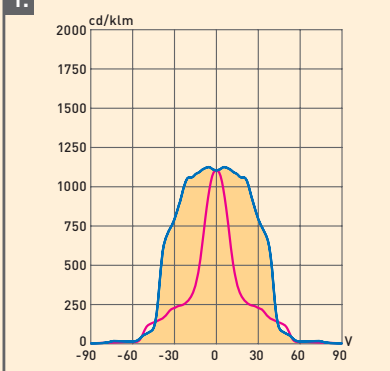
Dimensions in mm

Key features

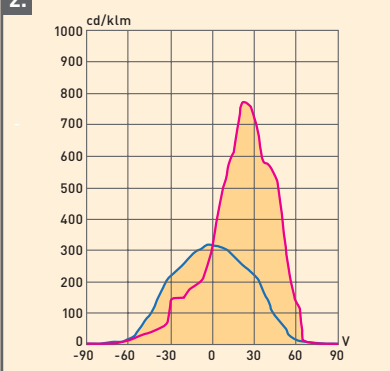




1.



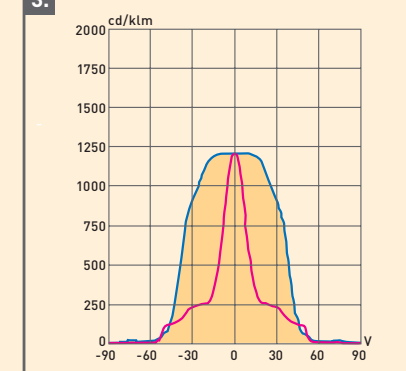
AL5321
70w-SON-TD
Symmetric

2.



AL5322
70w-SON-TD
Double Asymmetric

3.



AL5323/AL5324/AL5325
70w-SON-TD
Asymmetric