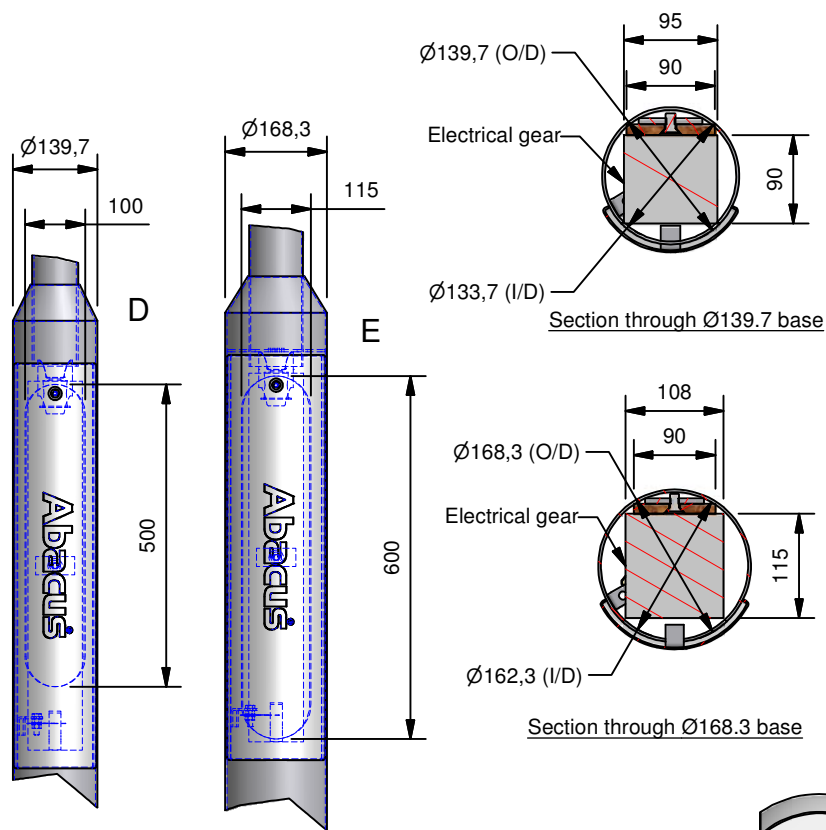
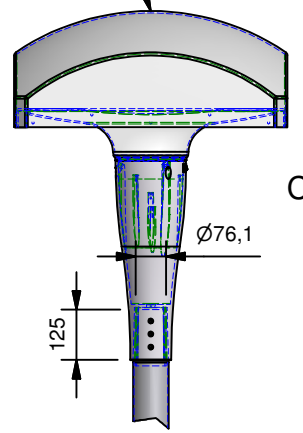


Lighting Column Range : Orion 2 & 3, Pegasus 2

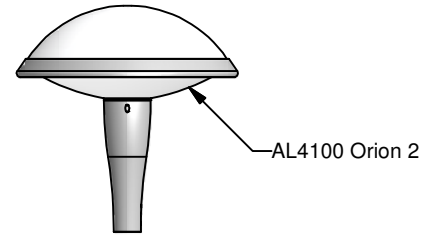
AL4100 / AL4150 / AL4250



AL4250 Pegasus lantern

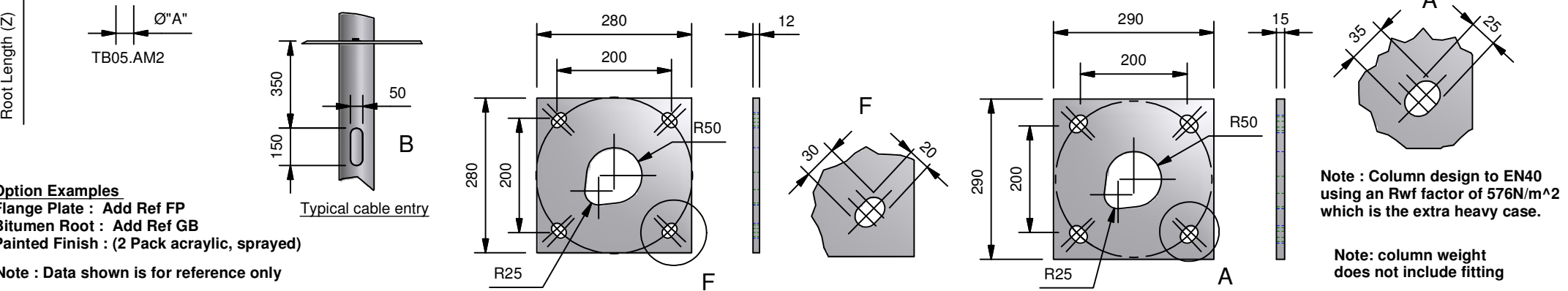
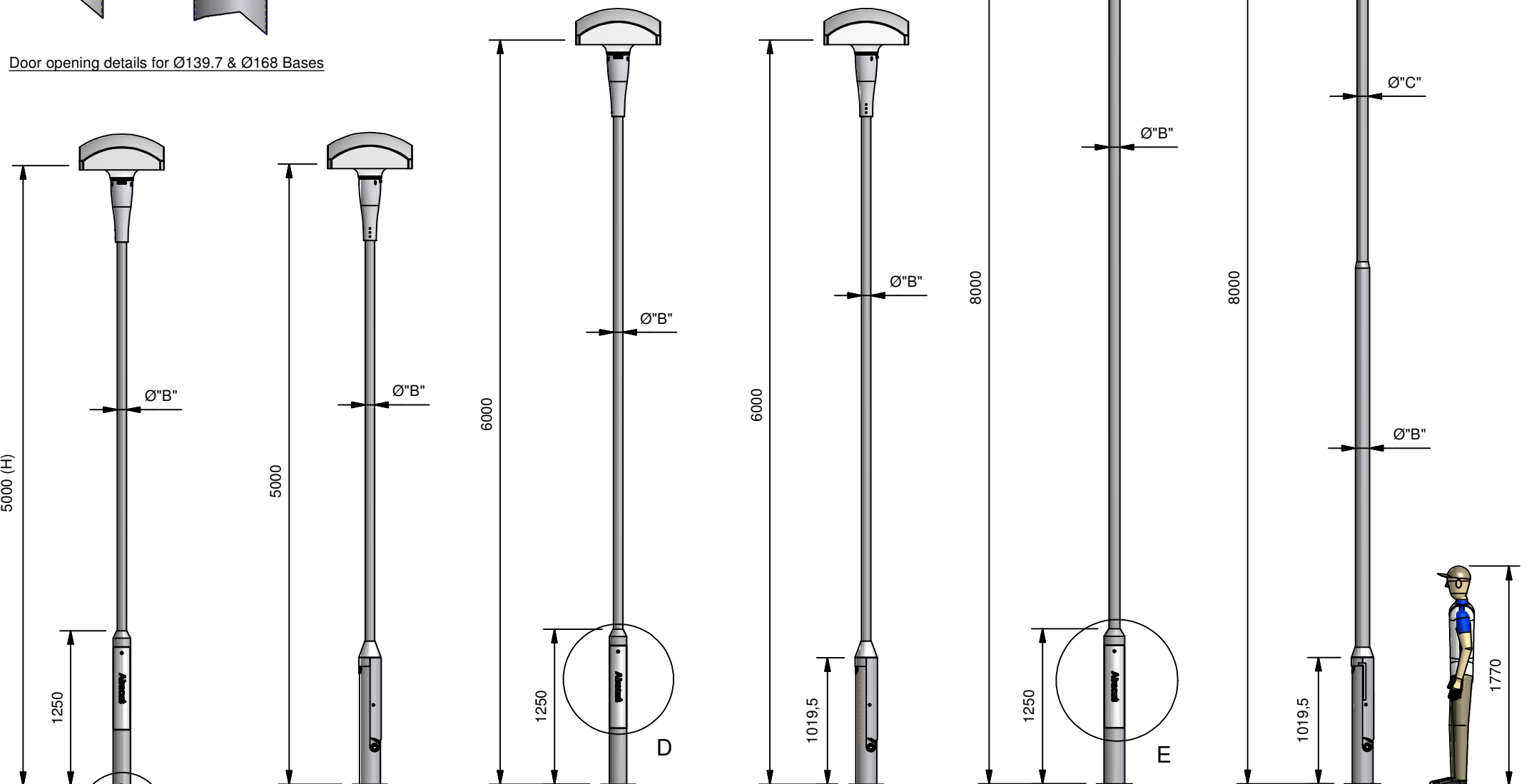


AM2 Range of lanterns consists of AL4250 "Pegasus 2" AL4100 "Orion 2" & AL4150 "Orion 3" all of which are compatible with columns detailed within the tables below.



Typical spigot details

Door opening details for Ø139.7 & Ø168 Bases



Option Examples
Flange Plate : Add Ref FP
Bitumen Root : Add Ref GB
Painted Finish : (2 Pack acrylic, sprayed)
Note : Data shown is for reference only

Note : Column design to EN40 using an Rwf factor of 576N/m² which is the extra heavy case.
Note: column weight does not include fitting

Base Hinged Columns														
Column Ref	H (mm)	Dia "A"	Dia "B"	Dia "C"	Z (mm)	R	S	T	U	Foundation bolts	O.T.M. (KNm)	Shear (KN)	Approx. Weight (Kg)	Lantern
T051RLS.AM2	5000	168.3	76.1	*****	800	*****	*****	*****	*****	*****	4.654	1.185	55.6	AM2 Range
T051RLS-FP.AM2	5000	168.3	76.1	*****	*****	200	280	12	20x30 Slots	4No. M16x500mm long Grd 4.6	4.654	1.185	52.4	AM2 Range
T061RLS.AM2	6000	168.3	76.1	*****	1000	*****	*****	*****	*****	*****	4.545	1.083	63.5	AM2 Range
T061RLS-FP.AM2	6000	168.3	76.1	*****	*****	200	280	12	20x30 Slots	4No. M16x500mm long Grd 4.6	4.545	1.083	57.8	AM2 Range
T088RLH.AM2	8000	168.3	114.3	88.9	1200	*****	*****	*****	*****	*****	7.668	1.44	89	AM2 Range
T088RLH-FP.AM2	8000	168.3	114.3	88.9	*****	200	290	15	25x35 Slots	4No. M20x500mm long Grd 4.6	7.668	1.44	83	AM2 Range

Fixed Columns														
Column Ref	H (mm)	Dia "A"	Dia "B"	Dia "C"	Z (mm)	R	S	T	U	Foundation Bolts	O.T.M. (KNm)	Shear (KN)	Approx. Weight (Kg)	Lantern
TB05.AM2	8000	139.7	76.1	*****	800	*****	*****	*****	*****	*****	4.949	1.235	44.1	AM2 Range
TB05-FP.AM2	8000	139.7	76.1	*****	*****	200	280	12	20x30 Slots	4No. M16x500mm long Grd 4.6	4.949	1.235	43.1	AM2 Range
TB06.AM2	8000	139.7	76.1	*****	1000	*****	*****	*****	*****	*****	4.818	1.119	52.1	AM2 Range
TB06-FP.AM2	10000	139.7	76.1	*****	*****	200	280	12	20x30 Slots	4No. M16x500mm long Grd 4.6	4.818	1.119	48.5	AM2 Range
TB08.AM2	10000	168.3	88.9	*****	1200	*****	*****	*****	*****	*****	7.557	1.454	88.2	AM2 Range
TB08-FP.AM2	10000	168.3	88.9	*****	*****	200	290	15	25x35 Slots	4No. M20x500mm long Grd 4.6	7.557	1454	65.1	AM2 Range