

ORION 3 AL4150



Optimum Reflector System Patent No. 1151226



Benefits

- A truly flat glass option to go with the great looks of the Orion family. Despite the marginal reduction in illuminance levels, in comparison to the Orion 2, it is the ideal combination of high performance and 0% upward light (ULOR)
- You'll need fewer lighting points, thanks to the efficiency and uniformity of square illuminance distribution
- Fewer lighting points mean you save on installation and maintenance costs – there'll be less cable, gear, lamp replacement, power consumption and waste

Features

- High performance Optimum Reflector System is highly polished and anodised aluminium, producing a square illuminance distribution at ground level
- UV stabilised clear polycarbonate flat bowl
- Canopy in ABS Plastics, available in white as standard with black and dark silver/grey available on request but may carry a surcharge
- 76mm entry diameter spigot in cast aluminium, available in colours to match the canopy

- Available with single lamp up to 400W SON or 450W metal halide. Integral control gear
- Two lamp type options: high pressure sodium or metal halide
- Four lamp size options: 150W up to 450W (450W on metal halide only)
- Option of an internal shield to give asymmetric distribution and backward overspill control
- GORE™ membrane breather equalises internal pressure
- Removable gear tray with plug and socket connection, ensuring class 1
- Pre-flexed option to cut down on installation time and costs

Applications

- Retail and leisure car parks
- Large area lighting

Lighting distribution

Square. Asymmetric (using optional internal shield)

Colours

- RAL9003 White (standard)
- RAL9007 Gunmetal
- RAL9005 Black

Gunmetal and Black are available on request and at extra cost.

	Lamp wattage and type	Lamp holder	Description	Weight (Kg)*	Windage (m²)
AL4151	1 x 150/250/400W SONP-T 1 x 150/250/400/450W HQI-T	E40	Square distribution; integral gear	17.8	0.253
AL4152	1 x 150/250/400W SONP-T 1 x 150/250/400/450W HQI-T	E40	Asymmetric distribution; integral gear	18.1	0.253
AL4153	1 x 150/250/400W SONP-T 1 x 150/250/400/450W HQI-T	E40	Square distribution; remote control gear	13.5	0.253
AL4154	1 x 150/250/400W SONP-T 1 x 150/250/400/450W HQI-T	E40	Asymmetric distribution; remote control gear	13.7	0.253

*Max in range.



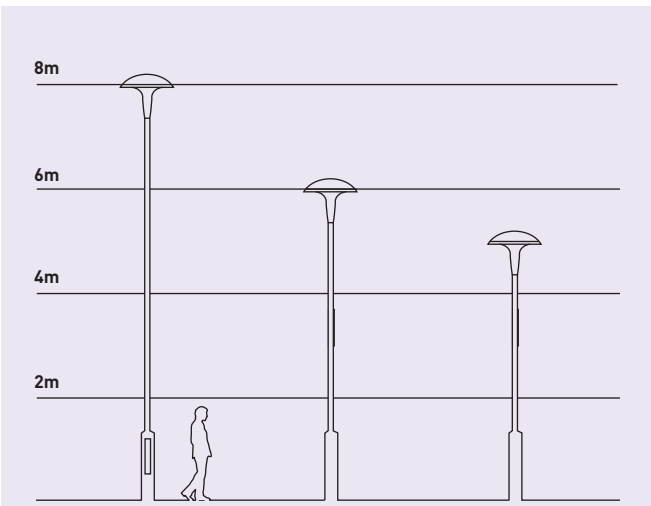
Column options

Choose between fixed and base hinged

	8m	6m	5m
Fixed	TB08.AM2	TB06.AM2	TB05.AM2
Base	T088RLH.AM2	T061RLS.AM2	T051RLS.AM2

Accessories

AL4150/PC Photocell



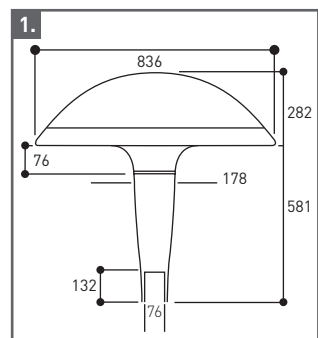
With Optimum Reflector System
Please see page 9 for further information.

Spotlight on Orion 3

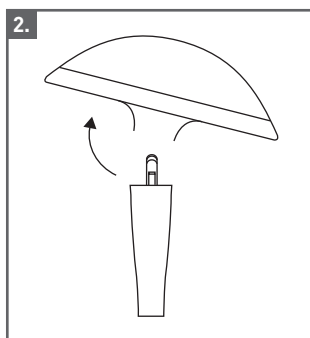
The Orion 3 brings you even more choice within our best-selling Orion series. The Orion 3 lantern shares the same reflector system heritage as the original Orion. For projects where low light pollution is essential, the Orion 3 has a flat polycarbonate bowl that complies with environment zone E1. Also available with a twin arm option – BKTD.AM2.



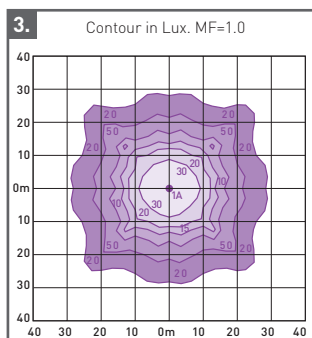
Key features



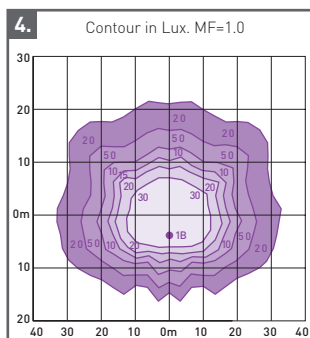
Dimensions & Mounting
Direct entry onto 76mm column shaft or spigot
Mounting height: 5m – 8m



Maintenance
Release three screw clamps and lift lantern canopy



Square distribution
Lamp 400W SONP-T
Mounting height: 8m



Asymmetric distribution
Lamp 400W SONP-T
Mounting height: 8m

All dimensions are in mm.