

# ORION AL4000



Optimum Reflector System Patent No. 1151226



## Benefits

- A great solution for large areas requiring even light distribution
- You'll need fewer lighting points, thanks to the efficiency and uniformity of square illuminance distribution combined with a twin 400W lamp capacity
- Fewer lighting points mean you save on installation and maintenance costs – there'll be less cable, gear, lamp replacement, power consumption and waste
- Provide low light pollution <1% ULOR, so they're dark skies friendly
- Twin lamp facility offers half output and security during off-peak hours

## Features

- High performance Optimum Reflector System is highly polished and anodised aluminium, producing a square illuminance distribution at ground level
- UV stabilised clear polycarbonate bowl with a decorative outer edge in a diamond pattern
- Canopy in spun aluminium with a removable top cap for easy lamp access
- Cast aluminium spigot housing for one set of control gear (450W max)

- Both canopy and spigot come as standard in black or white polyester powder coating (option of customer colour choice)
- Available in single lamp and twin lamp versions
- Single lamp versions have integral gear
- Twin lamp versions have one set of integral and one set of remote gear
- Option of an internal shield to give asymmetric distribution and alleviate overspill
- Mounting height is 8m - 12m for optimum performance

## Applications

- Retail and leisure car parks
- Large area lighting

## Lighting distribution

Square. Asymmetric (using optional internal shield)

## Colours

- RAL9003 White (standard)
- RAL9007 Gunmetal
- RAL9005 Black

or to customers' choice

	Lamp wattage and type	Lamp holder	Description	Weight (Kg)*	Windage (m <sup>2</sup> )
<b>AL4001</b>	1 x 150/250/400W SONP-T 1 x 250/400/450W HQI-T	E40	Square distribution; integral gear	24.3	0.286
<b>AL4002</b>	1 x 150/250/400W SONP-T 1 x 250/400/450W HQI-T	E40	Asymmetric distribution; integral gear	25.8	0.286
<b>AL4003</b>	2 x 150/250/400W SONP-T 2 x 250/400W HQI-T	E40	Square distribution; control gear (1 integral, 1 loose)	24.8	0.286
<b>AL4004</b>	2 x 150/250/400W SONP-T 2 x 250/400W HQI-T	E40	Asymmetric distribution; control gear (1 integral, 1 loose)	26.3	0.286
<b>AL4005</b>	1 x 150/250/400/600W SONP-T 1 x 250/400/450W HQI-T	E40	Square distribution; remote control gear	19.8	0.286
<b>AL4006</b>	1 x 150/250/400/600W SONP-T 1 x 250/400/450W HQI-T	E40	Asymmetric distribution; remote control gear	21.3	0.286
<b>AL4007</b>	2 x 150/250/400W SONP-T 2 x 250/400W HQI-T	E40	Square distribution; remote control gear	20.3	0.286
<b>AL4008</b>	2 x 150/250/400W SONP-T 2 x 250/400W HQI-T	E40	Asymmetric distribution; remote control gear	21.8	0.286

\*Max in range.



### Column options

Choose between fixed and base hinged

	12m	10m	8m
Fixed	TB12.AM1	TB10.AM1	TB08.AM1
Base	T127RLH.AM1	T107RLH.AM1	T088RLH.AM1

### Accessories

**AL4000/PC** Photocell

**With Optimum Reflector System**  
Please see page 9 for further information.

### Spotlight on Orion

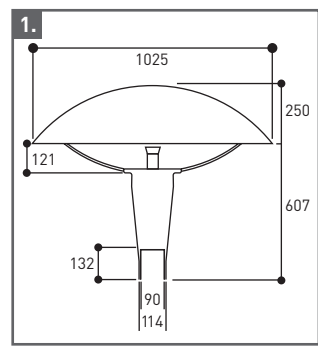
Since its introduction the Orion has set the standard internationally for combining high lighting levels and excellent uniformity in large car parks and amenity areas. Its twin parallel lamp solution also gives customers the option of half lighting levels at low usage times, without compromising on uniformity. Its attractive and universal appearance also lends itself to a wide number of applications.



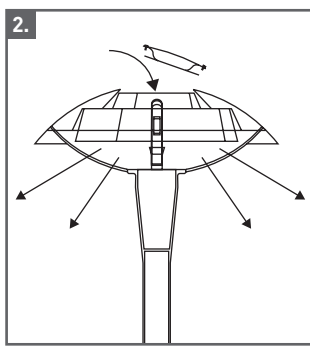
Morrisons were able to use fewer lighting columns thanks to Orion's high levels of performance and control of overspill. This, in turn, reduced running costs, infrastructure and maintenance. The result is a safe environment for customers that keeps light pollution to a minimum.



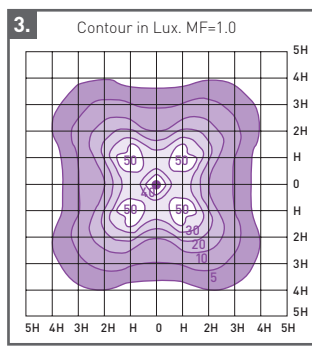
### Key features



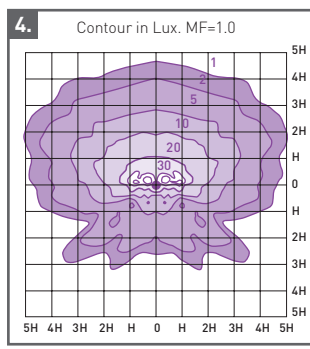
**Dimensions & Mounting**  
Direct spigot entry onto 89mm diameter column shafts  
Mounting height: 8m – 12m



**Maintenance**  
Removable top cap for lamp access via 1/4 turn fasteners



**Square distribution**  
Lamp 2 x 400W SONP-T  
Mounting height: 10m



**Asymmetric distribution**  
Lamp 400W SONP-T  
Mounting height: 10m

All dimensions are in mm.