



CAR PARK & AMENITY LIGHTING

# PATHSEEKER 2 AL3150



### Benefits

- Optional photocell available
- Tamper-resistant cover screws available
- Simple to fix using external stainless steel brackets and two lower points, all external to gasket line to preserve IP rating

### Features

- Strong pressure die-cast LM24 aluminium body prevents distortion when fixing and preserves IP rating
- Textured black full polyester powder finish
- Spacings up to eight times mounting height
- Impact-resistant, flame retardant prismatic polycarbonate cover

- Supplied complete with lamp
- Emergency pack: contact Abacus sales for price and availability

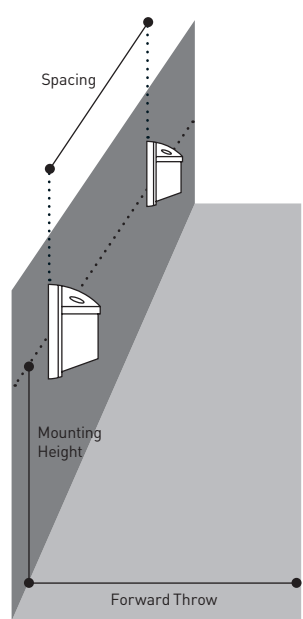
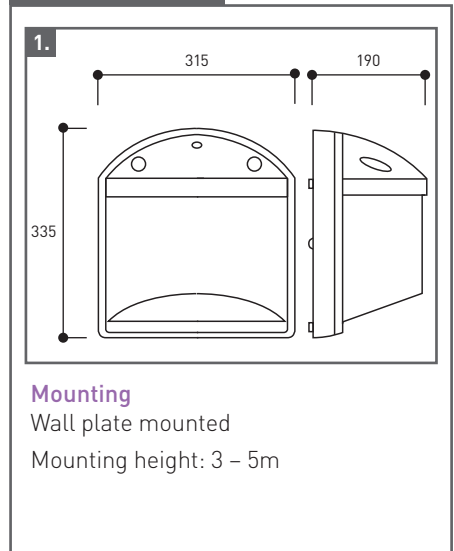
### Access

Access the lamp and control gear by removing screws in front panel



	Lamp wattage and type	Lamp holder	Description	Weight (Kg)
<b>AL3151</b>	70w SON-T Plus	E27	Lamp and integral control gear	4.3
	70w MBI	E27		4.3
	42w TC-T	Gx24q-4		2.8

### Key features



### Photometric performance

3M mounting height 5M forward throw

Spacing	Initial illuminance	Uniformity (min:av)
12m	37 lux av.	0.35
15m	30 lux av.	0.30
18m	25 lux av.	0.23
21m	22 lux av.	0.20
24m	19 lux av.	0.15

4M mounting height 6M forward throw

Spacing	Initial illuminance	Uniformity (min:av)
12m	28 lux av.	0.42
15m	22 lux av.	0.40
18m	18 lux av.	0.30
21m	15 lux av.	0.23
24m	13 lux av.	0.18

Accessories	
<b>AL3150PC</b>	Photocell option

All dimensions are in mm.