

RHEA AL5210



Benefits

- Compact lightweight 1KW floodlight for effective large area lighting

Technical Features

- Body of high pressure die cast aluminium, finished in light grey polyester powder coating (RAL 9006)
- Toughened front glass secured by extruded aluminium clips
- Reflector of polished and anodised aluminium
- Integral baffle, ensuring excellent glare limitation and increased performance
- Rear mounted electrical connection box
- Steel stirrup with secure locking system and general elevation protractor

- Remote control gear with integral ignitor
- Breather system fitted to 1kW versions as standard
- Easy access for re-lamping via opening front glass

Accessories

- Cowl (for reduced light pollution)

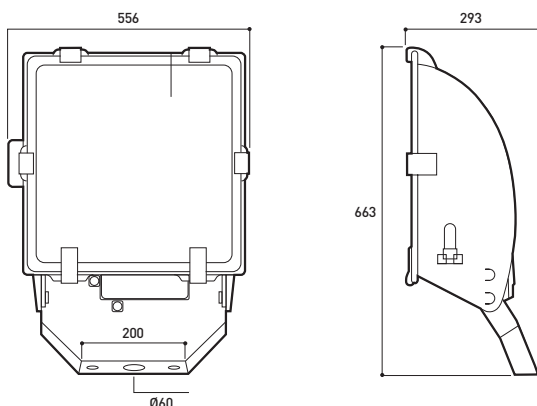
Colours

- RAL9006 Silver

	Lamp wattage and type	Lamp holder	Description	Max Weight (Kg)*	Windage (m²)
AL5216	400/600/1000W SON-T	E40	Double Asymmetric Medium	11.2	0.12
	400/1000W HQI-T			11.2	0.12
AL5218	400/600/1000W SON-T	E40	Double Asymmetric Wide	11.2	0.12
	400/1000W HQI-T			11.2	0.12

Dimensions

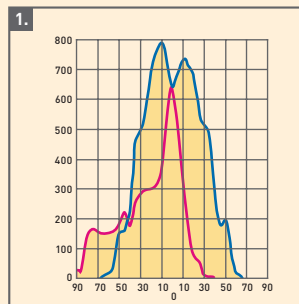
Dimensions in mm



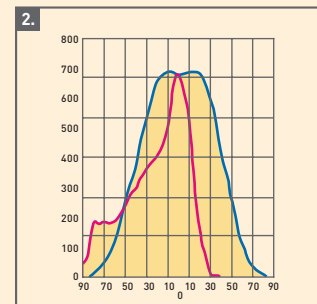
Mounting:

Stirrup mounted using M20 fixing Stirrup adjustment +/- 140°

Key features



AL5216
1kW-SON-T
Double Asymmetric Medium



AL5218
1kW-SON-T
Double Asymmetric Wide

*Max in range.