

SHERWOOD AL3450/60

IP65

Benefits

- Modern park fitting suited to a wide variety of applications
- Choice of two styles

Features

- Polycarbonate upper bowl mounted onto a black plastic base
- Tool free access by means of the twist lock bowl
- Option of central metal ring within the bowl or clear bowl with internal louvre. Upper bowl section has an internal cap to direct light downwards
- Accepts up to 100w SON/MH lamps
- Fits onto 60mm tube; 60mm length spigot where applicable

- Integral control gear in base
- Supplied as standard in Black

Colours

- RAL9005 Black

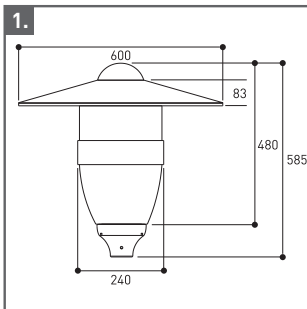


Sherwood 1
AL3450

Sherwood 2
AL3460

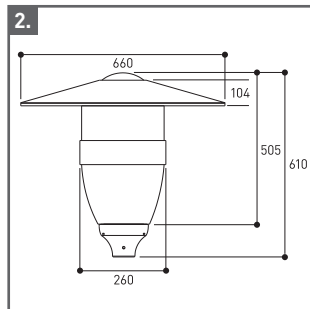
	Lamp wattage and type	Lamp holder	Description	Weight [Kg]*	Windage [m²]
AL3451	70/100W/MH, 70W SON-E	E27	Symmetrical, integral control gear	4	0.21
AL3452	100W SON-E	E40	Symmetrical, integral control gear	4	0.21
AL3453	150W SON-E	E40	Symmetrical, integral control gear	5	0.23
AL3454	150W MH	E27	Symmetrical, integral control gear	5	0.23
AL3461	70/100W MH, 70W SON-E	E27	Symmetrical, integral control gear	4	0.21
AL3462	100W SON-E	E40	Symmetrical, integral control gear	4	0.21
AL3463	150W SON-E	E40	Symmetrical, integral control gear	5	0.23
AL3464	150W MH	E27	Symmetrical, integral control gear	5	0.23

Key features



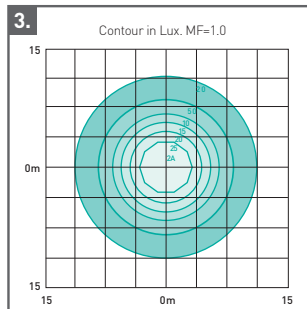
Dimensions & Mounting

Post top mounting onto 60mm diameter column or spigot
Mounting height: 4m – 5m
Models: AL3451/2, AL3461/2



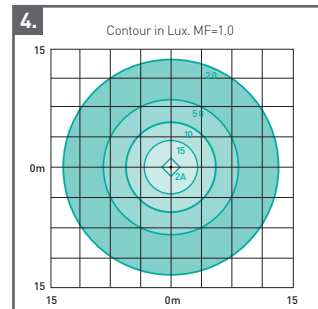
Dimensions & Mounting

Post top mounting onto 60mm diameter column or spigot
Mounting height: 4m – 5m
Models: AL3453/4, AL3463/4



AL3451

70W SON-E
Mounting height: 5m



AL3461

70W SON-E
Mounting height: 5m

All dimensions are in mm. *Max in range.