

SKIMMER AL3200



Benefits

- Excellent vertical lighting in 360° (or shielded) plane
- Extensively tested for vandal resistance
- Great versatility to suit a wide range of applications from marinas to parks
- Integral gear control
- Option of internal shield to reduce overspill (AL3212)
- Surface mounted and comes supplied with ground mounting plate
- Not suitable for loop in loop out armoured cable or flex. One entry for 2.5mm² flex only

Features

- Cast aluminium body, finished with polyester powder and coated in dark green, ensures a durable finish and a high level of vandal resistance
- Variable beam via elevation adjustable lamp holder
- High strength internal support rods for increased shock resistance
- Polycarbonate refractor producing a 360° horizontal spread of light

Lighting distribution

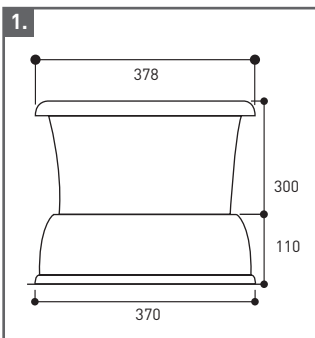
- 360° horizontal spread of light
- Beam at 90° vertical ± 5° adjustable

Access

Access to lamp via removal of top cover with stainless steel security screws fitted as standard

	Lamp wattage and type	Lamp holder	Description	Weight (Kg)
AL3201	35W HCI-T	G12	Adjustable beam ± 5° integral gear	n/a
AL3202	70W HCI-T	G12	Adjustable beam ± 5° integral gear	n/a
AL3203	150W HCI-T	G12	Adjustable beam ± 5° integral gear	n/a
AL3212	Internal shield (180° light spread)			

Key features



Mounting

Surface-mounted version supplied with ground mounting plate
Mounting height: ground mounted



SPOTLIGHT

PROJECT:

A mixed development of retail and residential units by Asda stores.

LOCATION:

Poole, England

PRODUCTS:

Skimmer AL3200, AL4001 and AL4004

BENEFITS:

An aesthetically pleasing lantern that delivers exceptional lighting results to the quayside location.

All dimensions are in mm.