

SPORTS COLUMN RANGE

8-12M BASE HINGED & FIXED COLUMNS

Factory fitted with control gear and protection equipment

The path to easy, safe long-life maintenance

Abacus Lighting is one of the world's leading specialist sports floodlighting companies, from design, through to manufacture, supply, installation and maintenance.

With knowledge and expertise from our team of qualified engineers, Abacus offers its range of base hinged and fixed columns as part of a range of fully fitted installation-ready products.

Fully Fitted & Wired Columns

In conjunction with flat glass low light pollution Challenger floodlights, the base hinge column offers an easy maintenance solution, overcoming 2 key difficulties:

1. Health & safety issues, as they allow ground level maintenance access with the use of the counterbalance operating unit, rather than cherry picker or ladder access
2. Avoiding damage to delicate surfaces by not requiring heavy plant to be transported over the grass or artificial surface to carry out maintenance operations (lamp change and glass cleaning)

The columns are delivered to site ready fitted with either 1kW or 2kW control gear, complete with a connection box incorporating 16A single or twin MCBs (miniature circuit breakers).

The 2.5mm² floodlight flex (or flexes) is wired into the connection box and fed up through the column, looped securely at the column top in preparation for installation.



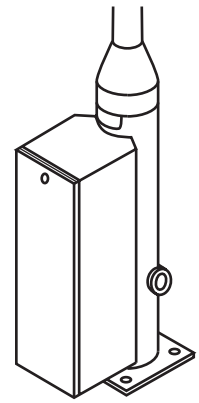
Base Hinged Medium Duty 168mm base

400w Floodlight

For 400w floodlighting installations, where the control gear is integral within the floodlight, the standard column can be supplied with a separate fuse cut-out fitted with a 10A fuse (code ELSAB1/10A for single floodlight, ELSAB12/10A for twin floodlights).

1 Set of Control Gear

Where the column is carrying one (A) or two (B) 1kW floodlights (see column pages for head and wind load capacities), the control gear is mounted in a purpose designed steel galvanised box fitted to the column base. The door is fitted with a lock. The connection box with single or twin MCBs is mounted in the column base, accessed by lowering the column.



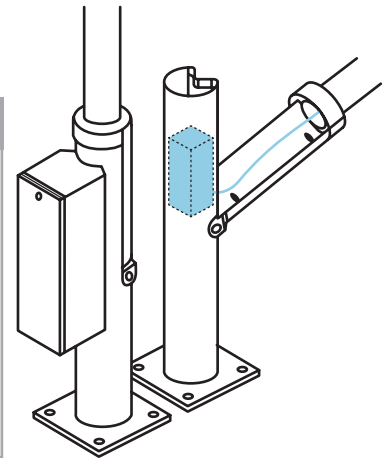
Base Hinged Heavy Duty 219mm base

1 Set of Control Gear

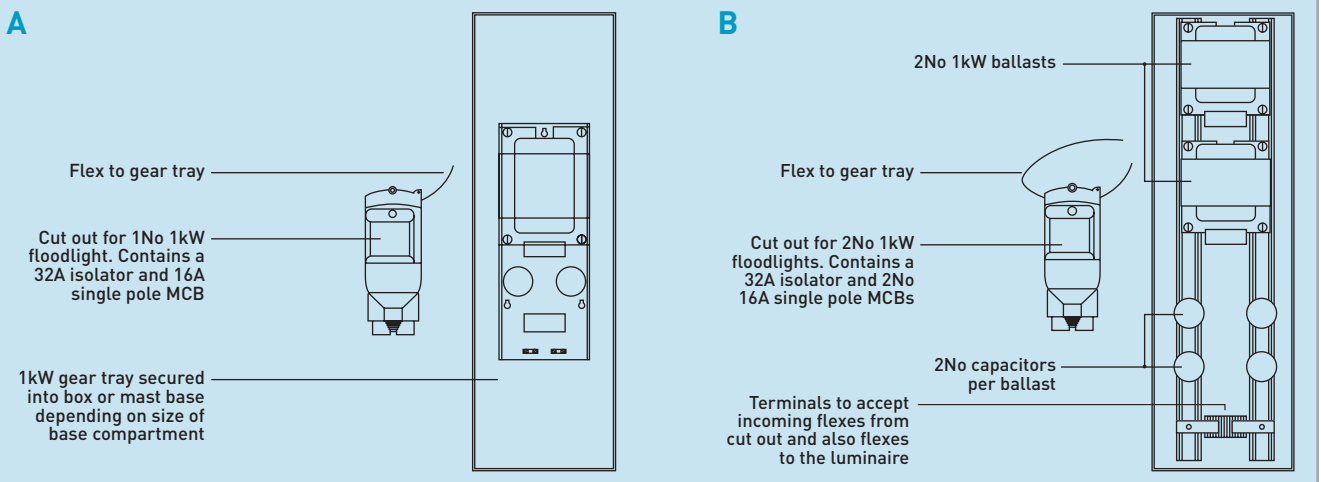
Where the column is carrying one 1kW (A) or 2kW (C) floodlight (see column pages for full wind loading capacities), the control gear is mounted in the base of the column, accessed by lowering the column. The connection box with a single MCB is mounted in the lower column door. Max. 16mm² incoming cable, loop in/out.

2 Sets of Control Gear

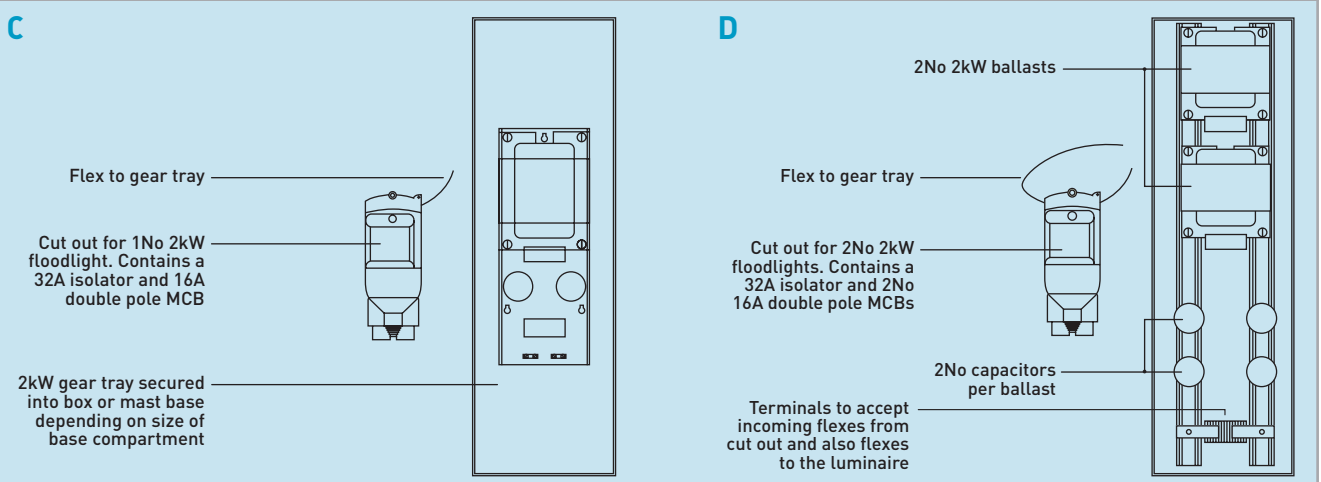
Where the column is carrying 2 sets of 1kW (B) or 2kW (D) floodlights (see column pages for full wind loading capacities), the control gear is mounted in a purpose designed steel galvanised box fitted to the column base. The door is fitted with a lock. The connection box with twin MCBs is mounted in the column base, accessed by lowering the column. 2.5mm² flex is fitted between the control gear and the top of column, looped securely ready for installation.



Floodlight Schematic Wiring Diagram (1kW)



Floodlight Schematic Wiring Diagram (2kW)



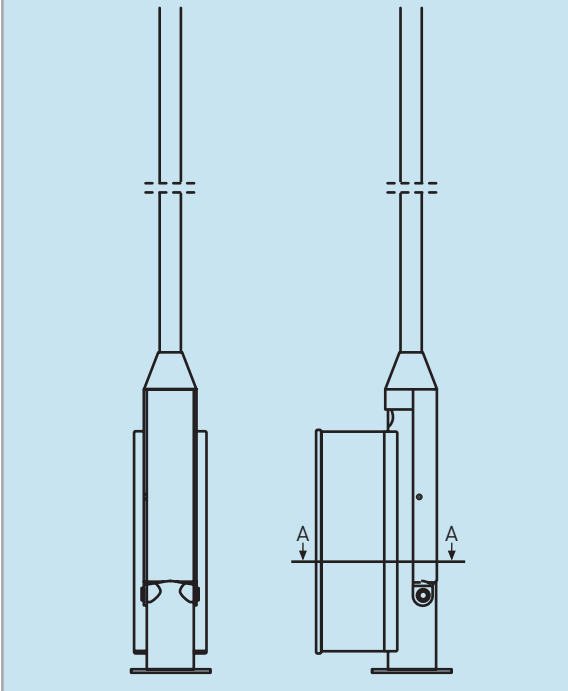
SPORTS COLUMN

8-12M BASE HINGED

Fully fitted and ready for installation

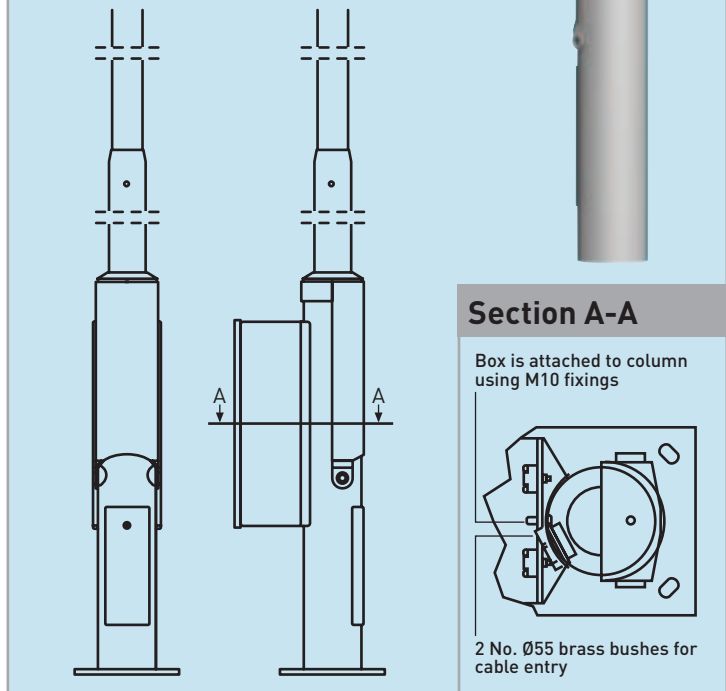
Medium Duty Base Hinged: 8M

Box required for one or two sets of 1kW control gear. Maximum external dimensions of the gear cabinet are 775(h)x250(w)x283(d)mm



Heavy Duty Base Hinged: 8-12M

Box only required for two sets of control gear in 219mm base. For one set only, control gear is mounted in column base



Product Code	Height	No. Sets of Gear	1kW or 2kW	No. of MCBs	Medium/ Heavy Duty	Max. Head Weight inc. Bracket	Weight with Gear (approx)	Figure	Single Flood Bracket	Twin Flood Bracket
T088RLHE111	8m	1	1kW	1	Medium	40kg	140kg	1	FL4/1	FL4/3
T088RLHE212	8m	2	1kW	2	Medium	40kg	158kg	1	FL4/1	FL4/3
T087RLHE111	8m	1	1kW	1	Heavy	105kg	167kg	2	FL4/1	FL4/3
T087RLHE212	8m	2	1kW	2	Heavy	105kg	185kg	2	FL4/1	FL4/3
T107RLHE111	10m	1	1kW	1	Heavy	64kg	197kg	2	FL4/1	FL4/3
T107RLHE212	10m	2	1kW	2	Heavy	64kg	215kg	2	FL4/1	FL4/3
T107RLHE121	10m	1	2kW	1	Heavy	64kg	197kg	2	FL4/1	FL4/3
T107RLHE222	10m	2	2kW	2	Heavy	64kg	215kg	2	FL4/1	FL4/3
T117RLHE121	11m	1	2kW	1	Heavy	50kg	220kg	2	FL4/1	FL4/3
T117RLHE222	11m	2	2kW	2	Heavy	52kg	238kg	2	FL4/1	FL4/3
T127RLHE111	12m	1	1kW	1	Heavy	36kg	234kg	2	FL4/1	FL4/3
T127RLHE212	12m	2	1kW	2	Heavy	36kg	252kg	2	FL4/1	FL4/3
T127RLHE121	12m	1	2kW	1	Heavy	36kg	234kg	2	FL4/1	FL4/3
T127RLHE222	12m	2	2kW	2	Heavy	36kg	252kg	2	FL4/1	FL4/3

Where a column is to be ordered with the gear box but without control gear or MCBs, the code will be TxxxRLHE000

NOTE: With a flange plate the column weights will vary a little.

SPORTS COLUMN

8-12M FIXED COLUMN

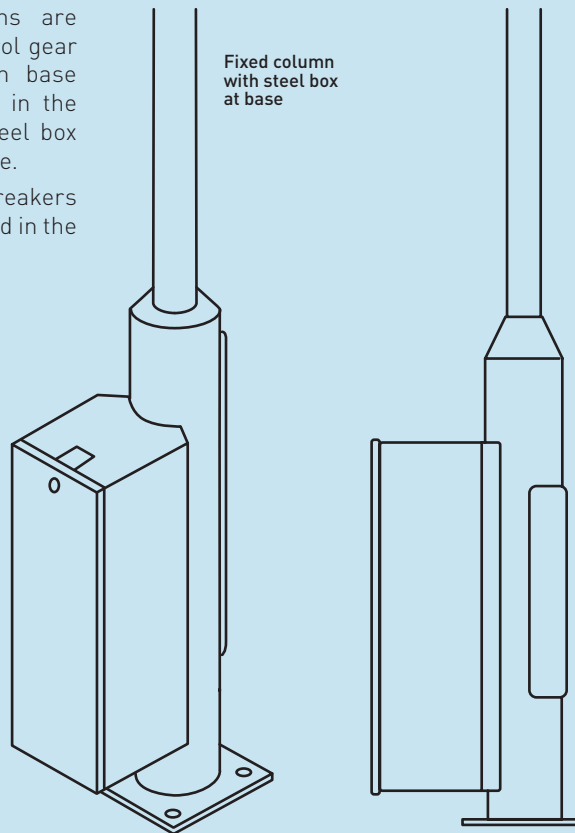
Fully fitted and ready for installation

Fixed Sports Columns: 8-12M

Maximum external dimensions of the gear cabinet are 775(h) x 250(w) x 283(d) mm

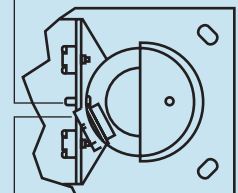
The fully fitted fixed columns are supplied with 1kW or 2kW control gear installed either in the column base (1 set in 12m column only) or in the custom designed galvanised steel box which is fitted to the column base.

Full details of the Mini Circuit Breakers and electrical layout can be found in the wiring diagrams on this page.



Section A-A

Box is attached to column using M10 fixings



2 No. Ø55 brass bushes for cable entry

Product Code	Height	No. Sets of Gear	1kW or 2kW	No. of MCBs	Medium/ Heavy Duty	Max. Head Weight inc. Bracket	Weight with Gear (approx)	Figure	Single Flood Bracket	Twin Flood Bracket
TB088/H/E111	8m	1	1kW	1	Heavy	60kg	140kg	4	FL4/1	FL4/3
TB088/H/E212	8m	2	1kW	2	Heavy	60kg	160kg	4	FL4/1	FL4/3
TB108/H/SP/E111	10m	1	1kW	1	Heavy	60kg	190kg	4	FL3/1	FL3/3
TB108/H/SP/E212	10m	2	1kW	2	Heavy	60kg	210kg	4	FL3/1	FL3/3
TB108/H/SP/E121	10m	1	2kW	1	Heavy	64kg	190kg	4	FL3/1	FL3/3
TB108/H/SP/E222	10m	2	2kW	2	Heavy	64kg	210kg	4	FL3/1	FL3/3
TB128/H/SP/E111	12m	1	1kW	1	Heavy	60kg	215kg	3	FL4/1	FL7/3
TB128/H/SP/E212	12m	2	1kW	2	Heavy	60kg	252kg	4	FL4/1	FL7/3
TB128/H/SP/E121	12m	1	2kW	1	Heavy	60kg	215kg	3	FL4/1	FL7/3
TB128/H/SP/E222	12m	2	2kW	2	Heavy	60kg	252kg	4	FL4/1	FL7/3

Where a column is to be ordered with the gear box but without control gear or MCBs, the code will be TBxxxE000

NOTE: With a flange plate the column weights will vary a little.