

STRADA AL6210



Benefits

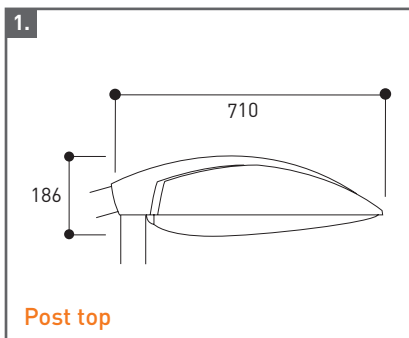
- Great versatility with a wide range of applications from roads to residential areas

Features

- Die-cast aluminium body finished in a Light Grey polyester powder coating (RAL7024)
- High performance reflector in high purity anodised aluminium
- Clear, impact resistant, UV stabilised polycarbonate bowl
- Adjustable lamp holder, providing various horizontal and vertical positions to accommodate different lamp types
- Five lamp size options; 70W up to 150W
- Integral control gear
- Bowl hinges downwards to access lamp and gear

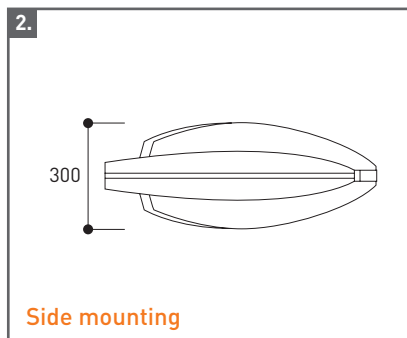
	Lamp wattage and type	Lamp holder	Description	Weight (Kg)*	Windage (m ²)
AL6211	70 SON-T 80/125W HQL 70/100/150W HQI-E	E27	Low profile bowl	7.4	0.104
AL6212	100/150W SON-T	E40	Low profile bowl	8.9	0.104

Key features



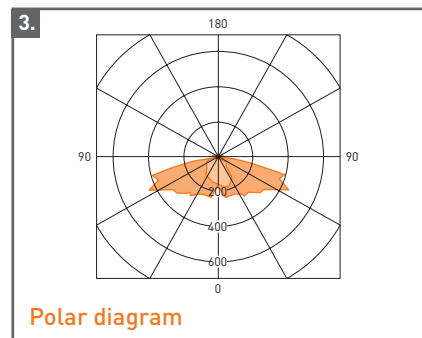
Mounting

Spigot adaptor allowing post top or side entry mounting onto 60/76mm diameter columns
Mounting height: 5m – 10m



Access

Bowl hinges downwards to access



Column options (post top)

	8m	6m	5m
Fixed	TB081/SP	TB060	TB050
Base	T081RLS/SP	T061RLS	T051RLS