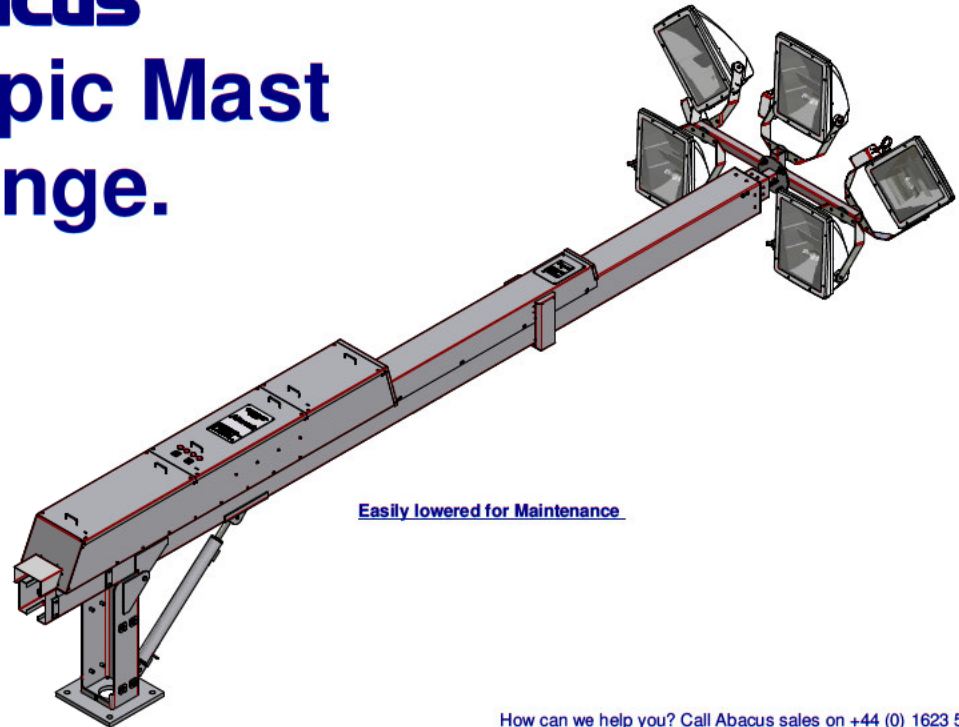


Extended Position

Retracted Position



The Abacus[®] Telescopic Mast Club Range.

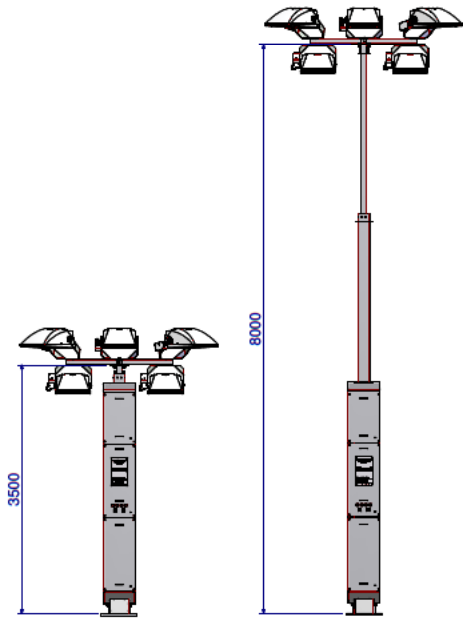


Easily lowered for Maintenance

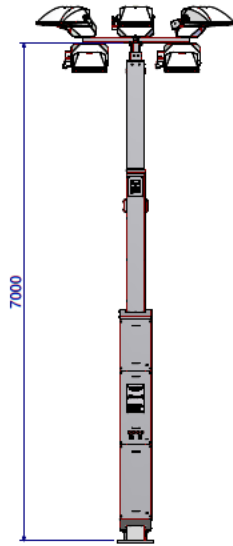
How can we help you? Call Abacus sales on +44 (0) 1623 511111
E-Mail inquiries at sales@abacuslighting.com or Visit www.abacuslighting.com

Telescopic Mast Club Range 3.5m - 20m

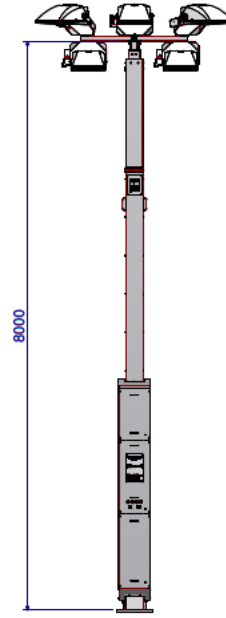
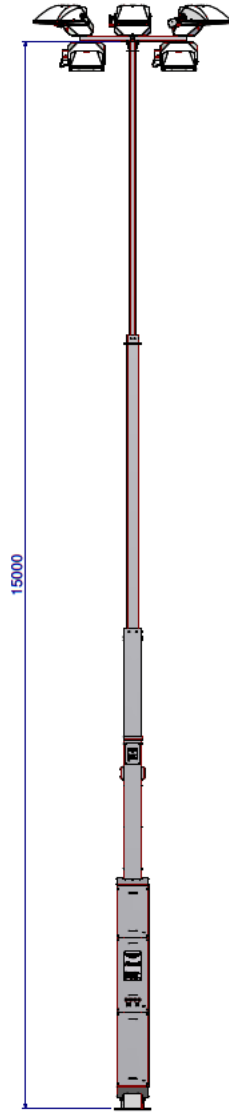
1. The Abacus Club Range of telescopic masts is ideally suited to facilities where it may be undesirable to have the floodlight masts permanently at their full height.
2. The Club Range has a high load capacity of five Challenger 1 floodlights (1kW & 2kW) to cater for the highest lighting levels for sports.
3. Operation of the masts can be carried out locally at the mast via the control panel or remotely located centrally from the clubhouse, for example. Maintenance is carried out simply by lowering the mast to the ground with the aid of the Abacus tried and trusted hydraulic counterbalance unit.
4. The mast is delivered to site fully factory fitted and assembled ready to accept the relevant on-site electrical pack.
5. The mast height can be factory set at any level up to it's maximum.
6. The mast is available as standard hot dip galvanised. Alternatively, our in-house paint facility can finish the mast in a colour of your own choosing.



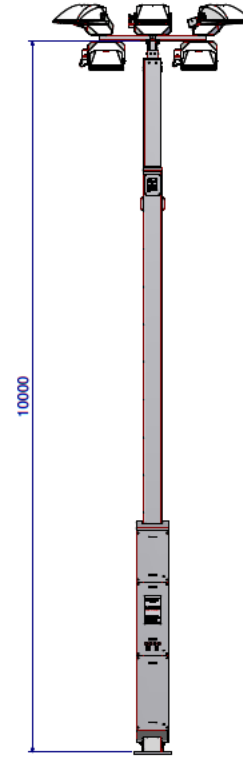
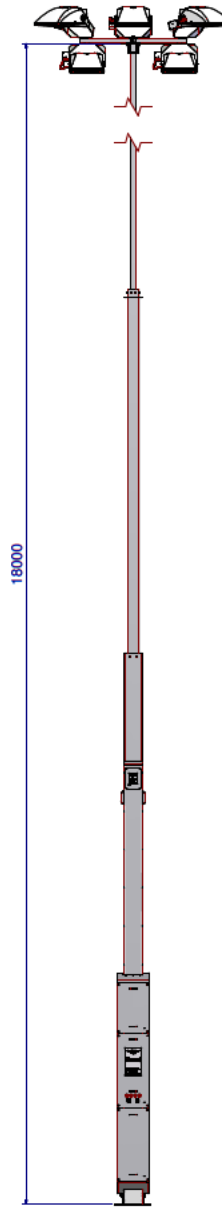
Item No. TEL-3.5m-8.0m-RL
Weight : 655Kg



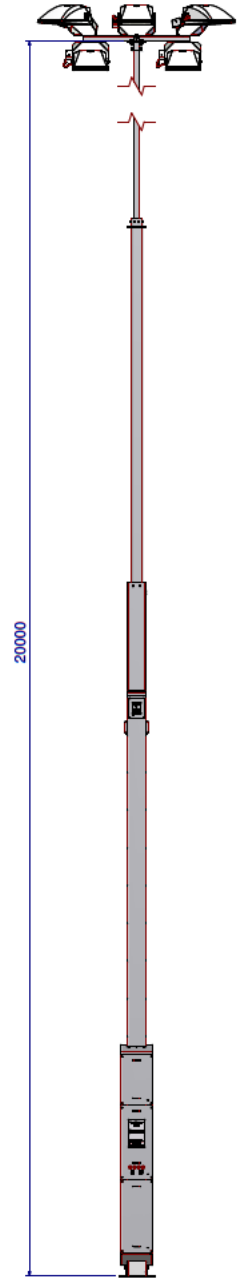
Item No. TEL-7.0m-15.0m-RL
Weight : 1000Kg



Item No. TEL-8.0m-18.0m-RL
Weight : 1089Kg



Item No. TEL-10.0m-20.0m-RL
Weight : 1331Kg



Copyright Strictly Reserved
Abacus lighting Ltd.
© 2009

Patent No.
Reg. Design No.

General tolerances
unless stated
otherwise:-

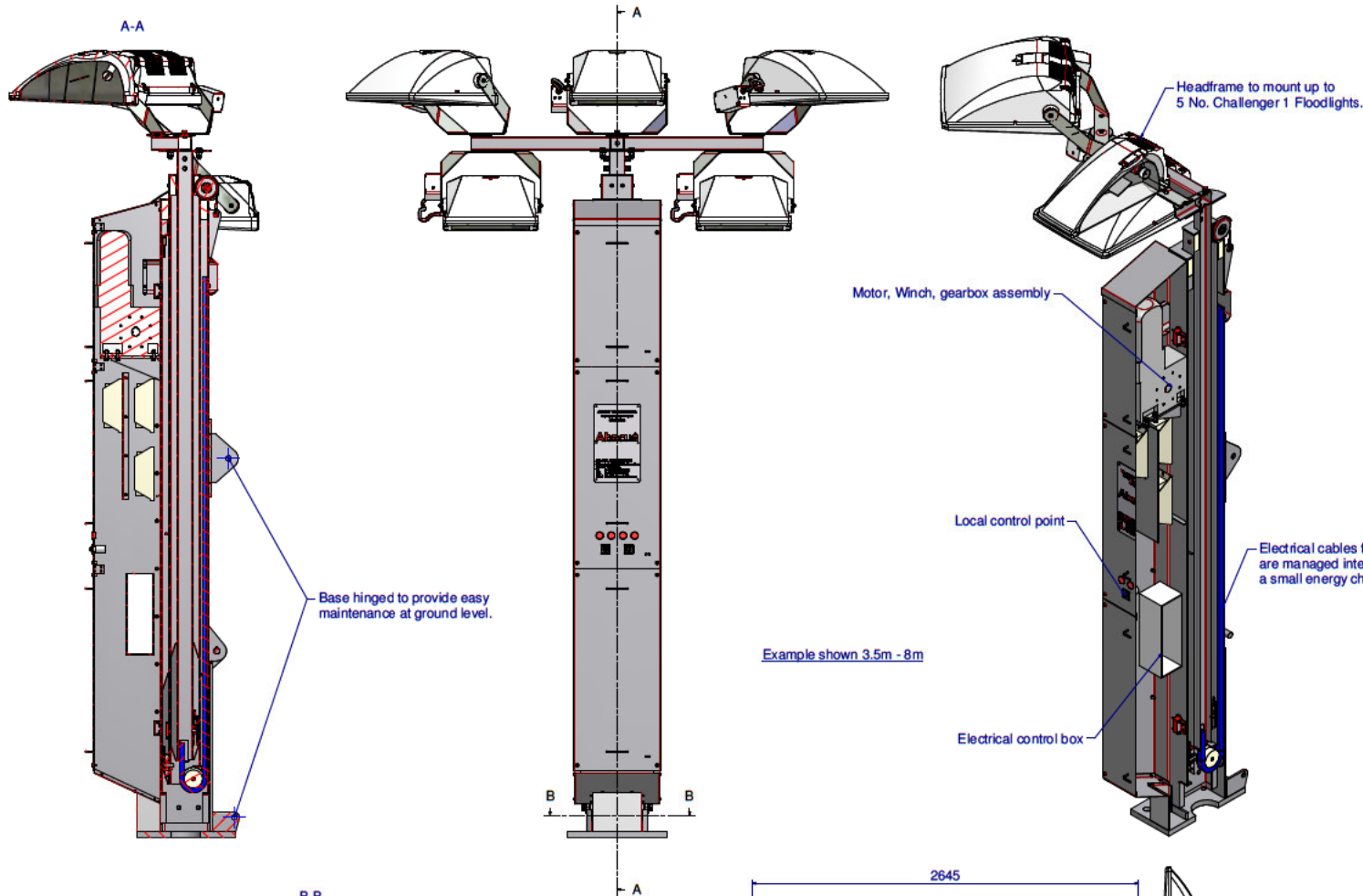
0mm-50mm → N/A
50mm-100mm → N/A
Above → N/A

Drawn	M.Massey
Checked	P.Nichols.
Scale	N.T.S.
Date	17.08.09.

Title	Telescopic range drawing
Sales order No.	None.

Abacus LEADERS IN LIGHTING	
Client	Internal
Drg. No.	TEL-RANGE-1

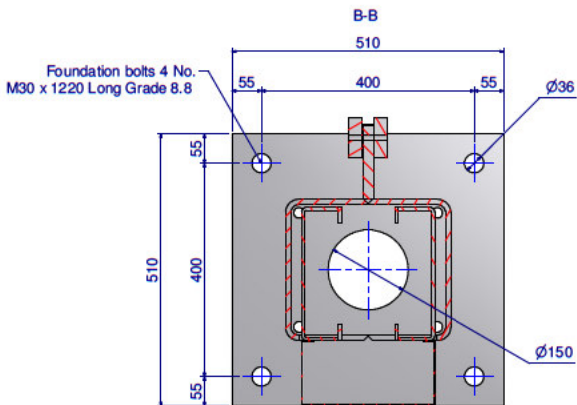
Telescopic Mast Club Range 3.5m - 20m



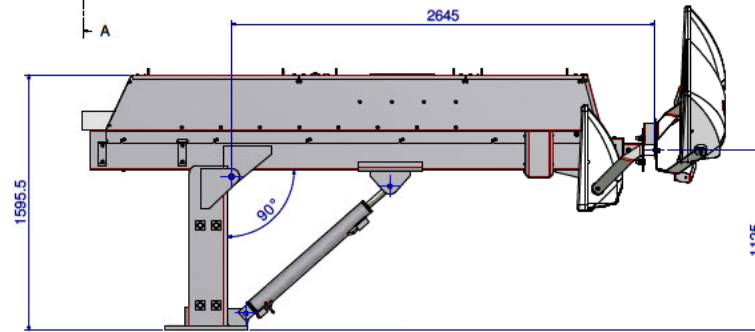
1. The Abacus Club Range of telescopic masts is ideally suited to facilities where it may be undesirable to have the floodlight masts permanently at their full height.
2. The Club Range has a high load capacity of five Challenger 1 floodlights (1kW & 2kW) to cater for the highest lighting levels for sports.
3. Operation of the masts can be carried out locally at the mast via the control panel or remotely located centrally from the clubhouse, for example maintenance is carried out simply by lowering the mast to the ground with the aid of Abacus tried and trusted hydraulic counterbalance unit.
4. The mast is delivered to site fully factory fitted and assembled ready to accept the relevant on-site electrical pack.
5. The mast is available as standard hot dip galvanised. Alternatively, our in-house paint facility can finish the mast in a colour of your own choosing.

For foundation details on the telescopic range please contact the Abacus Technical Department on +44 (0) 1623 511111

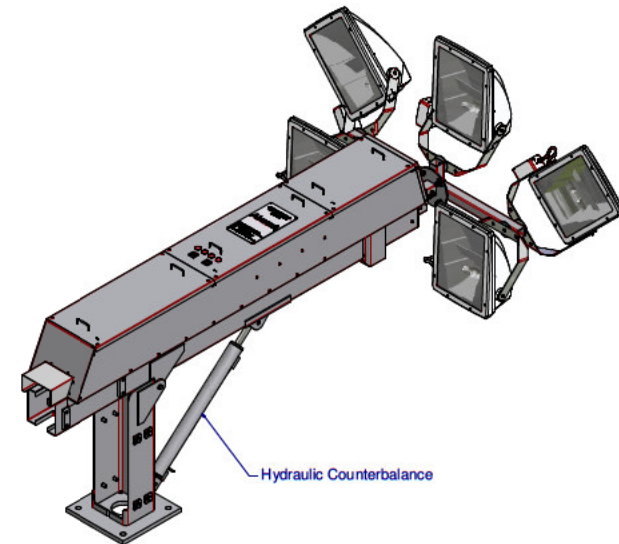
For full telescopic range please see drawing number TEL-RANGE-1



Typical Flange Detail



Maintenance Position



Hydraulic Counterbalance



Copyright Strictly Reserved
Abacus Lighting Ltd.
© 2009

Patent No.
Reg. Design No.

General tolerances unless stated otherwise:-
0mm-50mm → ± N/A
50mm-100mm → ± N/A
Above → ± N/A

Drawn M.Massey
Checked P.Nichols
Scale N.T.S.
Date 20.08.09.

Title General assembly of telescopic mast
Sales order No. None

Abacus
LEADERS IN LIGHTING
Client Internal
Drg. No. TEL-RANGE-2