



FLOODLIGHTING

THEA AL5400

**Benefits**

- Robust floodlight offering flat glass optics at 60° elevation, with the option of either 1KW or 2 x 400W lamps
- Ideally suited to high mast floodlighting applications such as ports, airports and industrial areas

Technical Features

- Die-cast aluminium body polyester powder coated finish metallic grey RAL9006
- Toughened front glass, hinged to the body and secured via extruded aluminium clips
- Breather system fitted to all versions
- High performance reflector in polished and anodised aluminium

- Stirrup in hot dipped galvanised steel. Fixing ensures flat glass +/-10° elevation adjustment
- Separate connection chamber/ignitor housing, connected to rear/top of floodlight body
- Access to lamp via front glass. Electrical installation via rear/top. Connection box houses ignitor

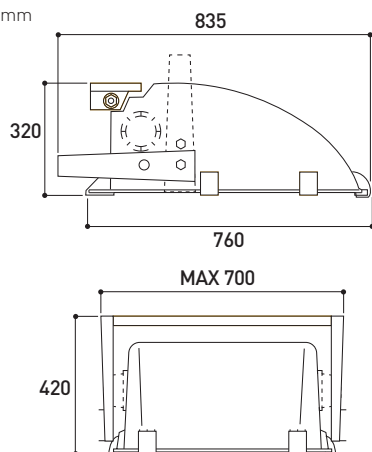
Colours

- RAL9006 Silver

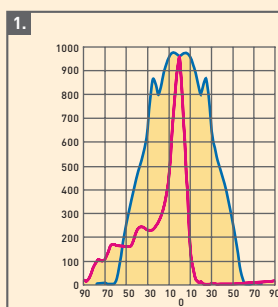
	Lamp wattage and type	Lamp holder	Description	Weight (Kg)*	Windage (m ²)
AL5401	2 x 400W SONP-T/HQI-T	E40	Narrow Beam	21.0	0.12
AL5402	2 x 400W SONP-T/HQI-T	E40	Medium Beam	21.0	0.12
AL5403	1000W SONP-T/HQI-T	E40	Narrow Beam	21.0	0.12
AL5404	1000W SONP-T/HQI-T	E40	Medium Beam	21.0	0.12

Dimensions

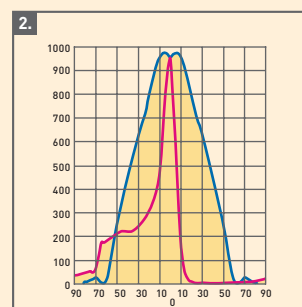
Dimensions in mm

**Mounting:**

Stirrup mounted using M20 fixing. Stirrup adjustment +/- 10°

Key features

AL5401
2x400w SON-T
Narrow beam



AL5402
2x400w SON-T
Medium beam

*Max in range.