



ARCHITECTURAL LIGHTING

TORINO AL3050



Benefits

- Modern park fitting with a choice of two reflectors

Features

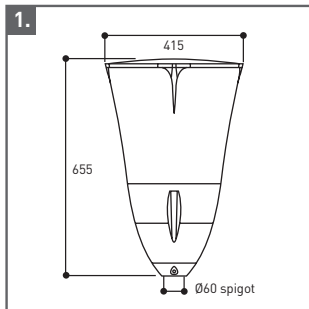
- Choice of asymmetric road reflector or symmetric reflector
- High pressure die-cast aluminium base powder coated to Gunmetal Grey 9007
- Canopy made in an injection moulded UV stabilised PMMA acrylic
- Accepts up to 150w SON/MH lamps
- Integral control gear in base
- Fits onto 60mm tube; 60mm length spigot where applicable

Colours

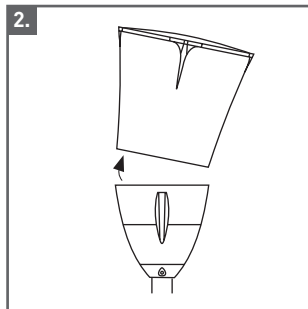
- RAL9007 Gunmetal

	Lamp wattage and type	Lamp holder	Description	Weight (Kg)*	Windage (m²)
AL3051	70W SON-T, 70/100W,150W/MH	E27	Asymmetric reflector, integral gear	8	0.178
AL3052	100W/150W SON-T	E40		9	0.178
AL3053	70W SON-T, 70/100W,150W/MH	E27	Symmetric reflector, integral gear	8	0.178
AL3054	100W/150W SON-T	E40		9	0.178

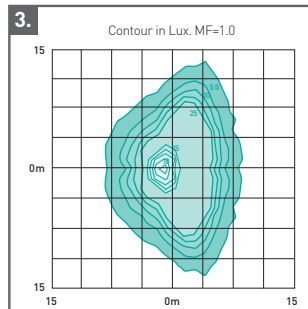
Key features



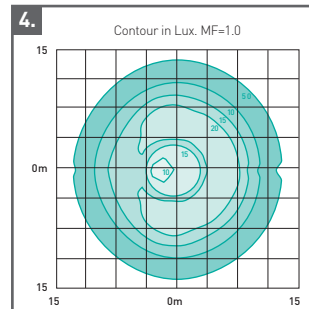
Dimensions & Mounting
 Post top mounting onto 60mm diameter column or spigot
 Mounting height: 4m – 5m



Maintenance
 Access to lamp and gear by removing 3 screws to lift canopy



AL3051
 70W SON-T
 Mounting height: 5m



AL3053
 70W SON-T
 Mounting height: 5m

All dimensions are in mm. *Max in range.