

TRAJETO AL6410



Benefits

- Great all-rounder for general utility lighting
- Modern design with a sleek silhouette
- Adjustable lamp holder, providing various horizontal and vertical positions to accommodate various lamp types

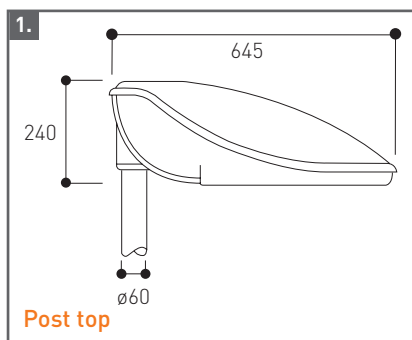
Features

- Die-cast aluminium upper and lower body finished Light Grey polyester powder coated (RAL7035 upper body and RAL7038 lower body)
- One piece reflector in high purity aluminium, chemically anodised and brightened
- Removable pre-wired control gear tray of heat resistant plastic
- Flat glass, 5mm toughened glass with stainless steel closing clip for positive sealing to IP66 (optics/control gear unit)
- Spigot adapter allowing post top or side entry mounting on to 60mm diameter columns and facilitates elevation of road lantern
- Post mounted versions may be set to either 0° to 15° elevation
- Side entry lanterns are elevated at 0° to -15°

	Lamp wattage and type	Lamp holder	Description	Weight (Kg)*	Windage (m ²)
AL6411	70/100W HQI-T 70W SON-T	E27	Flat glass integral gear	7.1	0.113
AL6412	100/150W SON-T	E40	Flat glass integral gear	7.1	0.113
AL6413[†]	250W SON-T	E40	Flat glass integral gear	7.1	0.113

[†]Special version

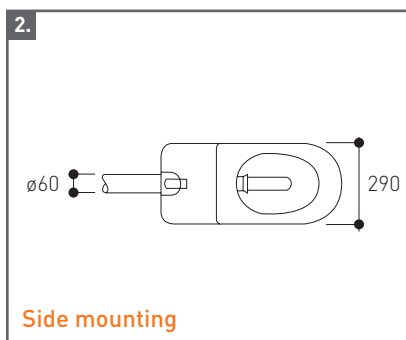
Key features



Post top

Mounting

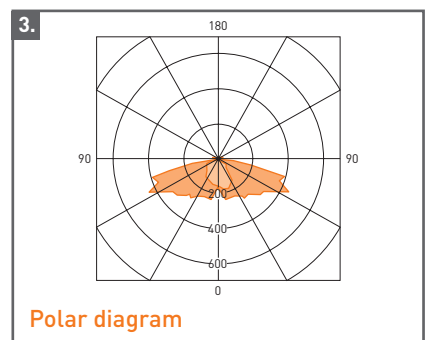
Spigot adapter allowing post top or side entry on to 60mm diameter column or spigot



Side mounting

Access

Upper body hinges upwards and locks into position to enable access to lamp and gear



Polar diagram

Column options (post top)

	10m	8m	5m
Fixed	TB108	TB08.SP1	TB050
Base	T107RLS	T081RLS.SP1	T051RLS

All dimensions are in mm. *Max in range.

For column and bracket options, consult the Abacus Lighting column brochure