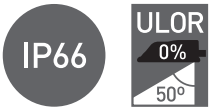


TRENT AL5000



Benefits

- Aesthetic styling suitable for architectural and commercial locations
- 50° high grade performance reflector available to give highly efficient light output
- Flat glass at 50°
- Sealed to IP66 and coated in all-weather and corrosion resistant polyester powder
- Three reflector options to adapt to wide range of applications
- Tool free access by releasing the long catch for quick and simple servicing
- Wide cooling fins incorporated in the body dissipate heat effectively
- Accessories include a protection grid, cowl and flux control louvre

- With integral gear
- 150W, 250W and 400W options
- Choice of high pressure sodium or metal halide lamps

Accessories

- Protection grid
- Cowl
- Vertical louvre

Colours

- RAL9006 Silver
- RAL9005 Black

Technical Features

- Body in die cast aluminium and polyester powder coated
- Thermal separation between lamp and wiring box
- 4mm tempered glass
- Double asymmetric 50° asymmetric reflector option
- Heat resistant silicon gasket sealed
- Galvanised steel stirrup with M12 central bolt hole (add suffix /M12 to bracket reference)



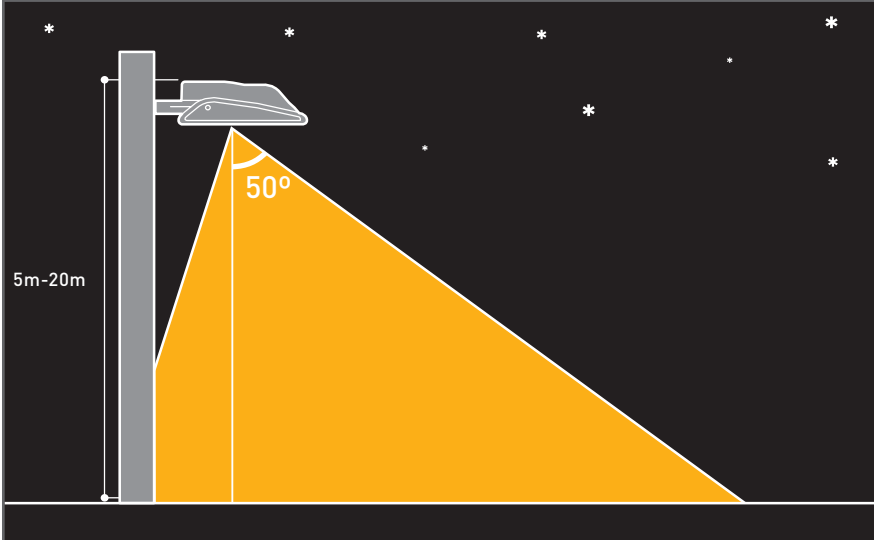
	Lamp Watts	Lamp Type	Lamp Holder	Description	Weight (Kg)
AL5021	150W 250W 400W	SONP-T / HQI-T	E40	Narrow Symmetric Beam Integral Control Gear	10.50 11.03 12.22
AL5022	150W 250W 400W	SONP-T / HQI-T	E40	Asymmetric Beam Integral Control Gear	10.50 11.03 12.22
AL5023	150W 250W 400W	SONP-T / HQI-T	E40	Double Asymmetric (50°) Beam Integral Control Gear	10.50 11.03 12.22



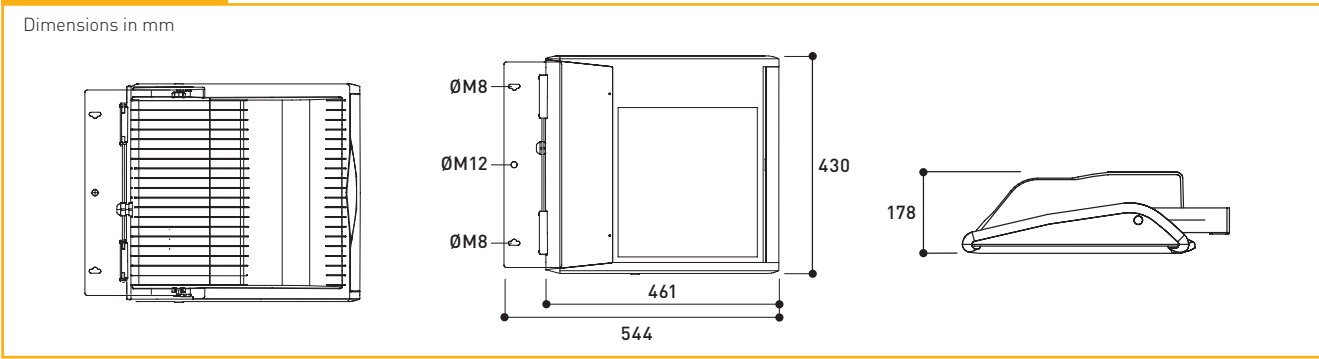
Accessories



50° flat glass reflector dark skies friendly



Dimensions



Key features

1.

AL5021
400w-SONP-T
Symmetric

2.

AL5022
400w-SONP-T
Asymmetric

3.

AL5023
400w-SONP-T
Double Asymmetric