



TRIVIUM AL6310



Benefits

- High output road lantern with capacity up to 400W
- 0% ULOR dark skies friendly with flat glass option

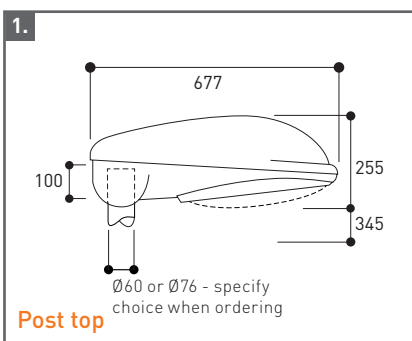
Features

- Die-cast aluminium body finished in a Light Grey polyester powder coating (RAL7024)
- High performance reflector in high purity anodised aluminium
- Available in low profile glass bowl or flat glass option

- Adjustable lamp holder, providing various horizontal and vertical positions to accommodate different lamp types
- Optional shield to limit backward or forward spill light
- Integral control gear
- Upper body hinges upwards to access lamp and gear

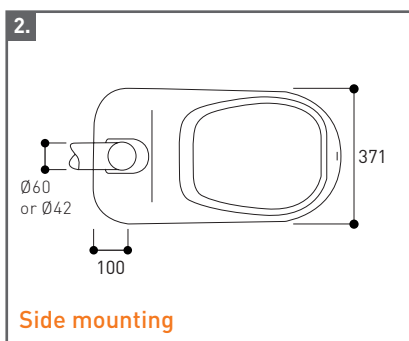
	Lamp wattage and type	Lamp holder	Description	Weight (Kg)	Windage (m ²)
AL6311	70W SON-T 70/100/150W HQI-E	E27	Low profile bowl	6.5	0.155
AL6312	100/150/250/400W SON-T 250/400W HQI-T	E40	Low profile bowl	6.5	0.155
AL6313	70W SON-T 70/100/150W HQI-E	E27	Flat glass	6.5	0.121
AL6314	100/150/250/400W SON-T 250/400W HQI-T	E40	Flat glass	6.5	0.121
AL6399	External shield				

Key features



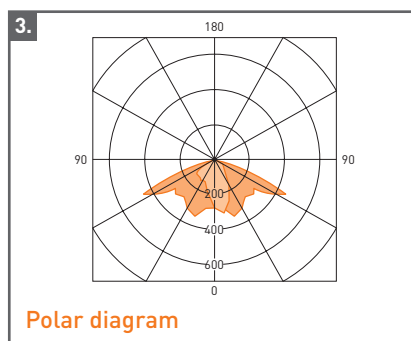
Mounting

Post top mounting onto 60mm/76mm diameter columns
 Mounting height: 4m – 10m
 Side mounting onto 60mm diameter columns



Access

Upper body hinges upwards and locks into position to enable access to lamp and gear



Column options (post top)

	8m	6m	5m
Fixed	TB081/SP	TB060	TB050
Base	T081RLS/SP	T061RLS	T051RLS

All dimensions are in mm.

For column and bracket options, consult the Abacus Lighting column brochure