

**CARICO LED**  
AL22500 Series  
IP65



**Technical features**

- Power: LumaFit LED 33W (System wattage 36.6W)
- 115° optics
- Colour temperature 5000K as standard
- CRI: 85
- Array lumens: 4,438lm
- Delivered lumens: 3,114lm
- Die cast aluminium back housing, finished in black powdercoating over a chromate conversion coat
- Cast-in template for ease of mounting over electrical boxing
- Colour matched hinged polycarbonate front housing with clear polycarbonate ribbed lens area
- 20mm coin plus with O-rings for conduit and photocell
- LumaFit LEDs on aluminium boards
- Dimmable driver
- 5 year warranty
- Rated life: 50,000 hours
- Voltage 120 - 277V, 50/60Hz
- Operating temperature -40°C ~ + 40°C
- Direct mount of a 100mm recessed outlet box or using 20mm surface conduit

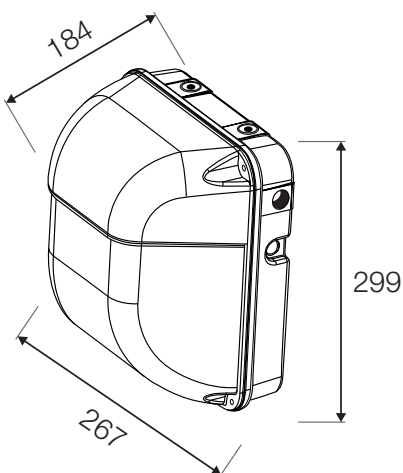
**Applications**

- Amenity

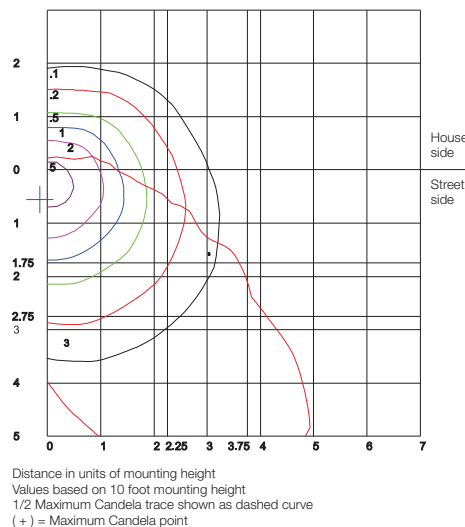
**Colour**

- Black

**Dimensions (mm)**



**Polar diagram**



Code	Wattage (W)	Array Lumens (lm)	Delivered Lumens (lm)	Optic	CRI	Colour Temperature (K)	Colour
AL22501	36.6	4438	3114	115°	85	5000	Black