

AL62000 Series
IP66
IK09



An aerodynamic road lighting luminaire designed to integrate perfectly into urban spaces. With its modular construction, upgrades and replacements of key components such as; power supply, light engine and LED modules, ensure the luminaire takes full advantage of technological improvements.

Available in two body sizes and offering 10 standard lumen packages, from 1,450 to 19,350 lumens, the AL62000 Series comes with six different optics to suit a wide variety of lighting scenarios.

With a lifetime of >65,000 hours (L80B10) combined with an efficacy of >112 lm/W, the AL62000 Standard series keeps operating and maintenance costs to an absolute minimum. With the Premium version, this is increased to a lifetime of >150,000 hours (L80B10) combined with an efficacy of > 125 lm/W.

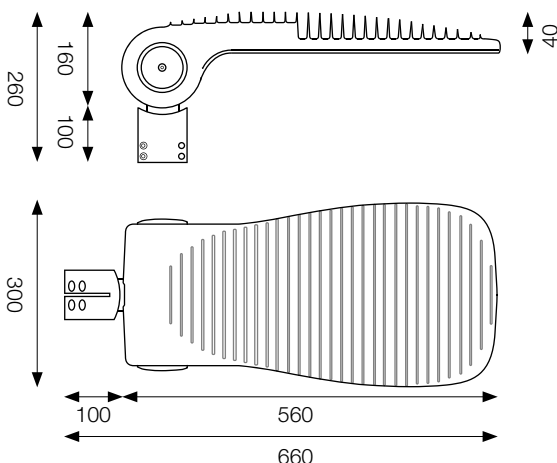
Constructed from lightweight die cast aluminium, the body is powder coated for protection against oxidation in even in the harshest of conditions. The lower cover is made of ASA plastic, which has a proven long lifetime in environments with fast, frequent and significant changes in temperature.

Cooling fins create a large upper surface area which prolongs the lifespan of the luminaire by providing excellent heat transfer, even in ambient temperatures in excess of 50°C.

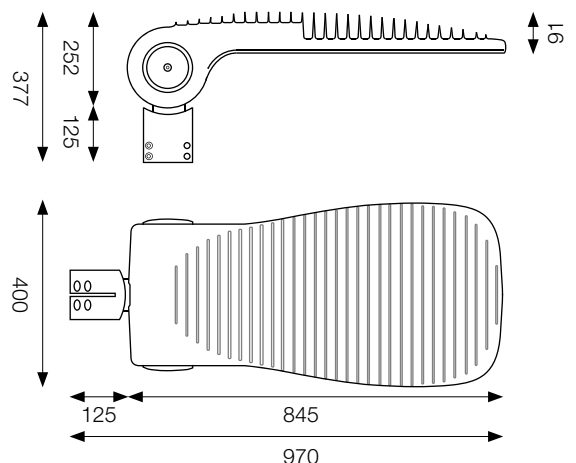
IP66 is achieved with the help of FIPFG (formed in place foam gaskets) technology, by ensuring the correct formation of the seal, the luminaire enjoys a high level of protection from the environment.

Dimensions (mm)

Body type #1



Body type #2



Benefits

- Easily maintained
- Durable die cast aluminium housing
- Flexibility with vertical or horizontal spigot mounting
- Multiple optics
- -40°C to +40°C

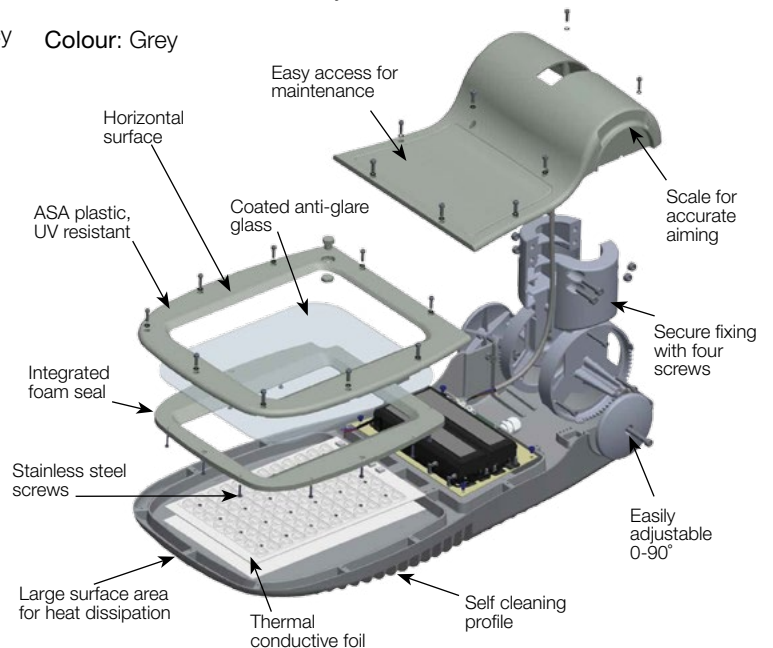
Key technical features

- Controls; Dali, 1-10V, RF or PLC (specify at enquiry)
- Efficacy up to 112 lm/W
- Integrated 5 level dimming module (optional)
- Protection against overheating
- Constant light output (optional)
- Time-dependant luminous flux control
- Power reduction; flexible luminous flux
- IP66 and IK09 rated
- Colour temperature 4000K as standard (options available)
- CRI ≥70
- Power supply 220Vac - 277Vac
- Standard surge protection 4kV (10kV option available)
- Solar options available in 26W and 56W

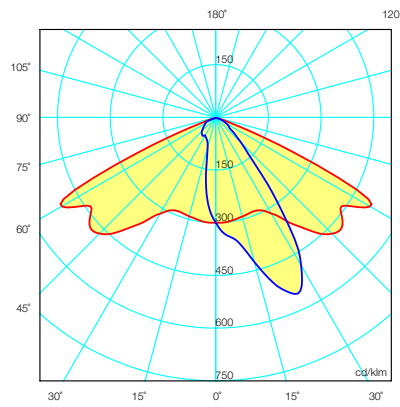
Applications

- Road
- Rail
- Open area
- Amenity

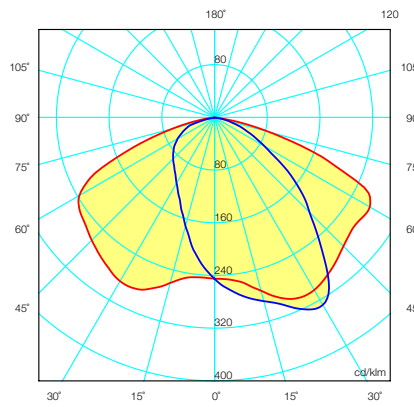
Colour: Grey



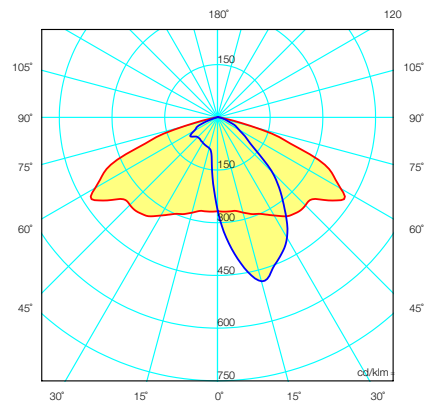
Optics



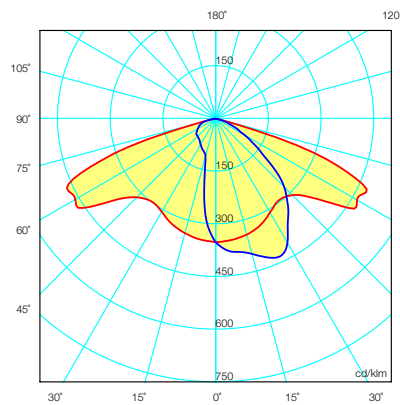
(000) Suitable for larger distance between poles and high mounting installations



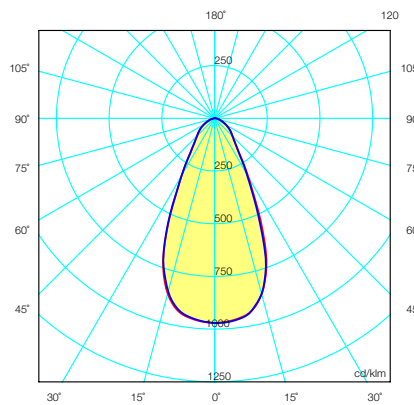
(001) Suitable for wider roadways with smaller distances between poles



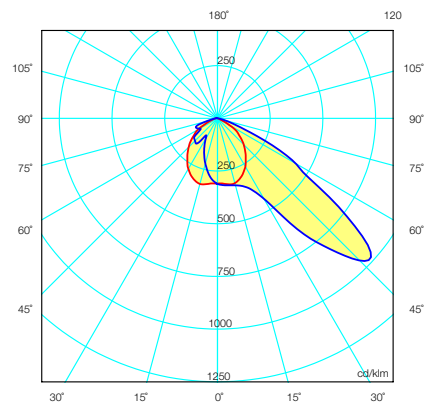
(002) Suitable for narrower roadways across roads, cycling and pedestrian areas



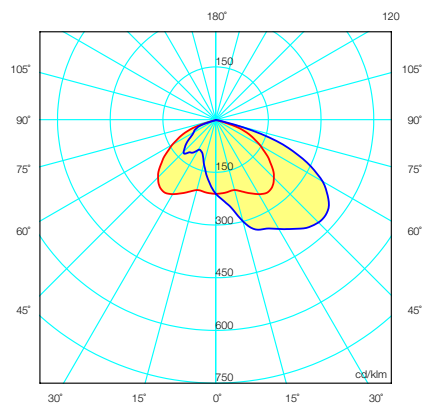
(010) Suitable for parking spaces and pedestrian crossings



(100) Suitable for parking spaces and small distance between poles



(101) Suitable for larger distance between poles and high mounting installations. Higher uniformity factor

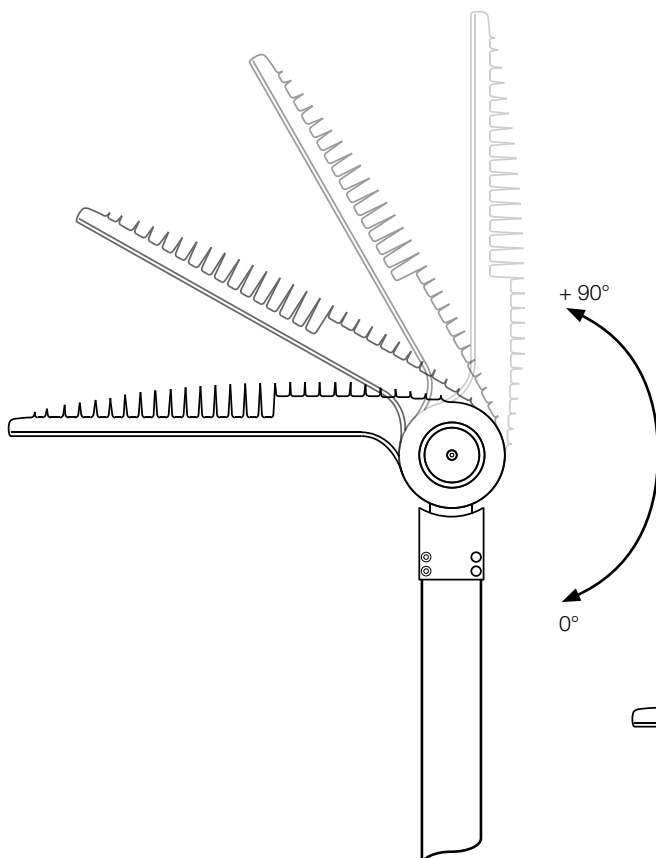


(110) Suitable for wide roadways and parking spaces with smaller distances between poles

AL62000 Series
IP66
IK09

Technical Specification	Body type 1	Body type 2
Lifetime L80B10	> 65,000 hours	
Supply voltage	220Vac - 240Vac 50,60Hz	
LED	8-24	48-96
Power (W)	15 - 80	80 - 220
Light flux (lm)	1,200 - 5,100	7,530 - 15,540
Power factor	> 0.96	
CCT	4,000 - 4,500K; 4 Step McAdam (6,000K or 3,800K upon request)	
Factor of colour rendering CRI	≥ 70	
Mechanical strength	IK09	
Protection class	IP66	
Additional surge protection	4kV (class II) standard; (10kV (class I) optional)	
Operating temperature	-40°C to +55°C	
Weight	7kg	15kg
EPA rating	0.0552m ²	0.0862m ²
Dimensions (mm)	660 x 300 x 260	970 x 400 x 377
Mounting	60mm pole (adaptor required for other columns dimensions)	
Tilt	-10° to +15° (horizontal and vertical installation)	
Certificates	IEC 60529:2001; EN 60598-1:2008; cl.9.2.2 & 9.2.7; IEC 60598-2-3 (Third edition):2002 +A1:2011 used in conjunction with IEC 60598-1 (Seventh edition): 2008; IEC 60598-26:1994+A1:1996 used in conjunction with IEC 60598-1:2008; EC 62031:2008 (First edition); CE; ENEC; ZIK	
Guarantee	5 years on electrical, 10 years on mechanical	
Wireless control	Optional	

Installation



The rotor enables both side and post top mounting of the luminaire on a 60mm diameter pole. Angular adjustments can be made between 0-90° in ± 5° increments. A security system within the rotor mechanism prevents unintentional tilting, thus preventing possible damage occurring during installation or maintenance of the light fitting.

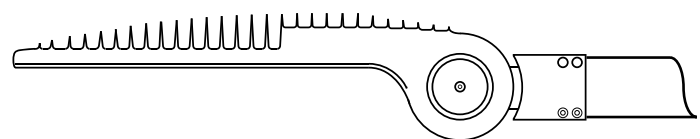
To provide maximum security and robustness of installation, four screws are used to fix the light fitting to the pole.

Mounting pole: ø60 mm (adapter available for other dimensions)

Tilt: 0 - 90°, step ± 5°

Weight: Body type 1: 7 kg

Body type 2: 15 kg



AL62000 Series
IP66
IK09

Luminaire code	LED type	Luminaire Wattage (W)	Luminaire - Lumen output (lm)	Number of LEDs	Body type	Light distribution type	Weight (kg)	Wind area (m ²)
AL62001	Standard	15	1450	8	1	(000) Suitable for larger distance between poles and high mounting installations	7	0.0552
		30	2850	12	1		7	0.0552
		40	3800	24	1		7	0.0552
		60	5820	24	1		7	0.0552
		80	8400	24	1		7	0.0552
		80	8490	48	2		15	0.0862
		95	10500	80	2		15	0.0862
		120	11450	48	2		15	0.0862
		140	14900	80	2		15	0.0862
		190	19350	96	2		15	0.0862
AL62002	Standard	15	1450	8	1	(001) Suitable for wider roadways with smaller distances between poles	7	0.0552
		30	2850	12	1		7	0.0552
		40	3800	24	1		7	0.0552
		60	5820	24	1		7	0.0552
		80	8400	24	1		7	0.0552
		80	8490	48	2		15	0.0862
		95	10500	80	2		15	0.0862
		120	11450	48	2		15	0.0862
		140	14900	80	2		15	0.0862
		190	19350	96	2		15	0.0862
AL62003	Standard	15	1450	8	1	(002) Suitable for narrower roadways across roads, cycling and pedestrian areas	7	0.0552
		30	2850	12	1		7	0.0552
		40	3800	24	1		7	0.0552
		60	5820	24	1		7	0.0552
		80	8400	24	1		7	0.0552
		80	8490	48	2		15	0.0862
		95	10500	80	2		15	0.0862
		120	11450	48	2		15	0.0862
		140	14900	80	2		15	0.0862
		190	19350	96	2		15	0.0862
AL62004	Standard	15	1450	8	1	(100) Suitable for parking spaces and pedestrian crossings	7	0.0552
		30	2850	12	1		7	0.0552
		40	3800	24	1		7	0.0552
		60	5820	24	1		7	0.0552
		80	8400	24	1		7	0.0552
		80	8490	48	2		15	0.0862
		95	10500	80	2		15	0.0862
		120	11450	48	2		15	0.0862
		140	14900	80	2		15	0.0862
		190	19350	96	2		15	0.0862

AL62000 Series
IP66
IK09

Luminaire code	LED type	Luminaire Wattage (W)	Luminaire - Lumen output (lm)	Number of LEDs	Body type	Light distribution type	Weight (kg)	Wind area (m ²)
AL62005	Standard	15	1450	8	1	(101) Suitable for parking spaces and small distance between poles	7	0.0552
		30	2850	12	1		7	0.0552
		40	3800	24	1		7	0.0552
		60	5820	24	1		7	0.0552
		80	8400	24	1		7	0.0552
		80	8490	48	2		15	0.0862
		95	10500	80	2		15	0.0862
		120	11450	48	2		15	0.0862
		140	14900	80	2		15	0.0862
		190	19350	96	2		15	0.0862
AL62006	Standard	15	1450	8	1	(1010) Suitable for larger distance between poles and high mounting installations. Higher uniformity factor	7	0.0552
		30	2850	12	1		7	0.0552
		40	3800	24	1		7	0.0552
		60	5820	24	1		7	0.0552
		80	8400	24	1		7	0.0552
		80	8490	48	2		15	0.0862
		95	10500	80	2		15	0.0862
		120	11450	48	2		15	0.0862
		140	14900	80	2		15	0.0862
		190	19350	96	2		15	0.0862
AL62007	Standard	15	1450	8	1	(110) Suitable for wide roadways and parking spaces with smaller distances between poles	7	0.0552
		30	2850	12	1		7	0.0552
		40	3800	24	1		7	0.0552
		60	5820	24	1		7	0.0552
		80	8400	24	1		7	0.0552
		80	8490	48	2		15	0.0862
		95	10500	80	2		15	0.0862
		120	11450	48	2		15	0.0862
		140	14900	80	2		15	0.0862
		190	19350	96	2		15	0.0862