

AL60500 Series H-LUM

IP65

IK08

CE

Abacus®

Leaders in Lighting



In association with
LUMENIA

H-LUM light is a durable, highly effective industrial LED luminaire for high ceiling installation. It is an ideal solution for distribution centres, production facilities, and warehouses or gyms, which require high illumination but minimum maintenance. With a finely engineered housing, made of anodised, extruded aluminum, H-LUM fixture dissipates heat and keeps the LEDs inside cool and bright for years.

Benefits

- Low maintenance
- Easy to mount
- Detachable driver
- Durable die cast aluminium housing
- Optics to suit all applications
- Dimming options available

Key technical features

- IP65 and IK08 rated
- Efficacy up to 149 lm/W
- CRI >80
- Colour temperature 4000,K
- Surge protection 2 kV / 4kV
- Controls; Dali
- Emergency option available
- Protection against overheating

Applications

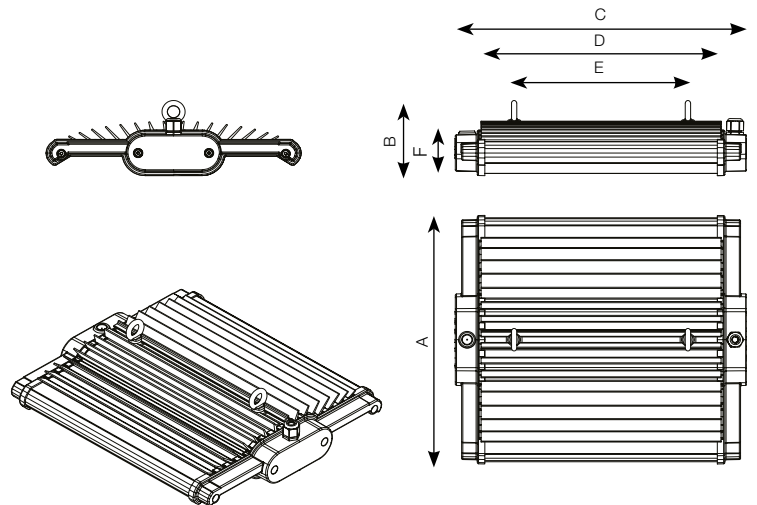
- Industrial
- Amenity

Colour: Silver Matte

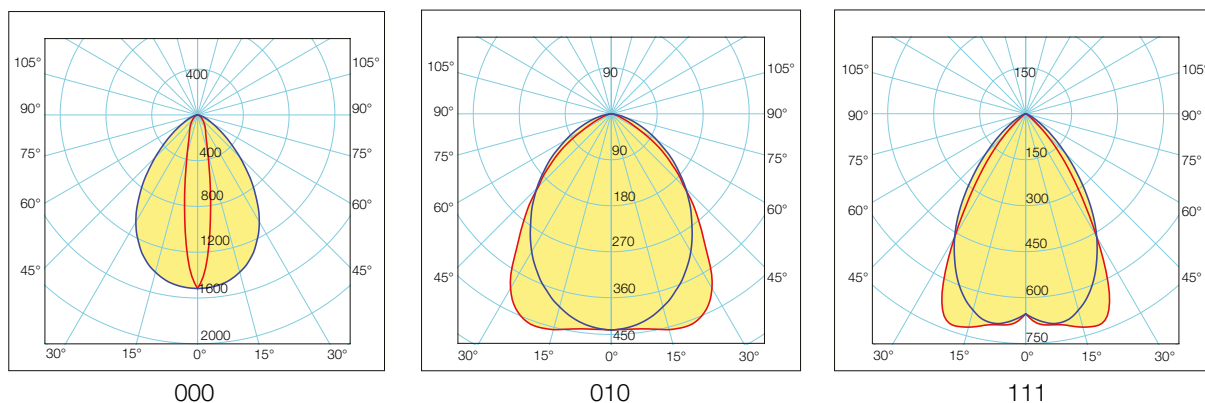
Dimensions (mm)

No. of LEDs	198	288	396	576
A	405	405	405	405
B	123	123	123	123
C	360	460	590	800
D	276	381	507	717
E	171	276	402	612
F	89	89	89	89
kg	4	5	7	9

All dimensions measured in mm.



Optics



AL60500 Series H-LUM

IP65

IK08

CE

Abacus®

Leaders in Lighting

Product specification

	H LUM Standard	H LUM Premium
System efficacy (lm/W)	Up to 145	Up to 149
Supply voltage (VAC)	220-240	220-240
LED	198 - 576	198 - 576
Power (W)	120 - 290	60 - 260
Luminous flux (lm)	16,000 - 42,100	8,740 - 38,720
Weight (kg)	4, 5, 7, 9	4, 5, 7, 9
Power factor	> 0.97	> 0.97
Advisable installation height	Up to 16m	Up to 16m
Lifetime L80B10	> 60,000 h	> 60,000 h
CCT	4,000K; optional 5,000K	4,000K; optional 5,000K
CRI	> 80	> 80
Ingress protection	IP65	IP65
Mechanical strength	IK08	IK08
Surge protection options (kV)	2, 4	2, 4
Operating temperature	-30°C to +45°C	-30°C to +55°C
Electrical / Appliance class	Class 1	
Dimming levels	0 - 100%	
Emergency Lighting	1 or 3 h	
Colour	Silver Matte	
Housing material	Housing: extruded anodised aluminium. Cover: extruded PMMA optics	
Mounting	Pendant	
Remote control options	DALI	
Warranty	5 years on electronics, 10 years on mechanical parts	

Product variation

Item No.	LED	Power (W)	Luminous flux (lm)	Efficacy (lm/W)	Optics available	Body type	Control	Luminaires per fuse	Additional options	
AL60501/120	198	120	16,000	133lm/W	000	H-LUM 360	DALI, programmable	< 12 pcs	Motion Detector MD7	
AL60501/120					010					
AL60501/120					111					
AL60502/150	288	150	21,400	143lm/W	000	H-LUM 460		< 8 pcs	Emergency module 1/3 h Motion Detector MD7	
AL60502/150					010					
AL60502/150					111					
AL60503/220	396	220	31,400	143lm/W	000	H-LUM 590		DALI, programmable	< 4 pcs	Motion Detector MD15
AL60503/220					010					
AL60503/220					111					
AL60504/290	576	290	42,100	145lm/W	000	H-LUM 800	DALI, programmable		< 6 pcs	Motion Detector MD15
AL60504/290					010					
AL60504/290					111					

Premium versions available upon request.

AL60500 Series H-LUM

IP65

IK08

CE

Abacus[®]

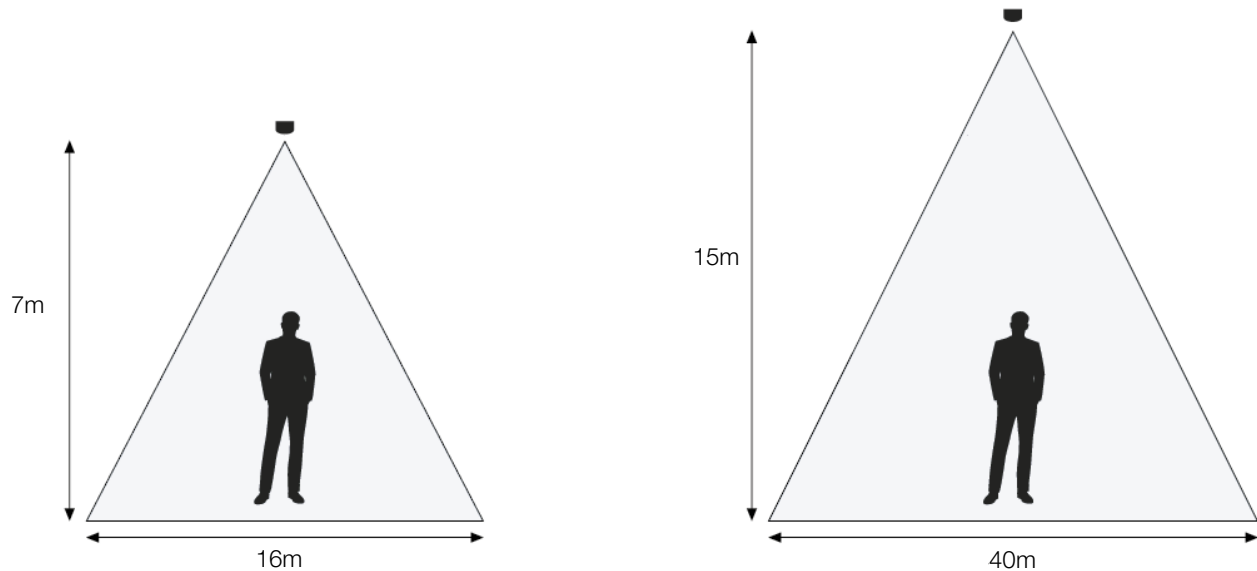
Leaders in Lighting

Motion Dectector

Reducing energy consumption of buildings is no longer possible just with an integration of highly efficient LEDs. Integrated sensor solutions provide additional energy savings and dynamic control of the light, not only with presence detection, but also with measuring the daylight and adjusting the light levels of the light. Because the H-LUM luminaires are suitable for high installations, we provide the PIR technology of the sensors. There are two solutions available in order to optimise the usage of them. The sensors can be used for mounting heights up to 7m and up to 15m and provide a wide detection area. Programming or commissioning of the sensors can be done by using IR handheld unit, from the ground.

Functional specifications

- ▶ Daylight sensing
- ▶ Time delay function
- ▶ Adjustable detection sensitivity
- ▶ Programmable via optional IR handset
- ▶ ON / OFF override via optional IR handset



Sensor reference	Sensor technology	Mounting heights	IR remote programming	Additional masking shields to tailor detection zones
MD7	PIR	7m	Optional IR handheld unit	No
MD15	PIR	15m	Optional IR handheld unit	Yes