

ORION LED
AL4500 Series
IP66



The new LED variation of our market leading conventional Orion. Available in square / symmetrical and asymmetrical beam options. Ideal for car park and amenity locations.

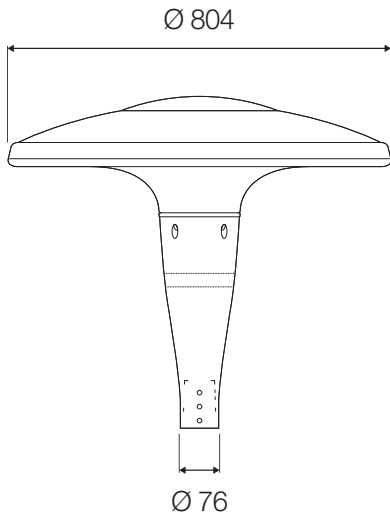
Benefits

- Asymmetrical beam distribution ideal for boundary mounting location to reduce overspill and wasted light
- Symmetrical beam distribution ideal for wide column spacings whilst maintaining light uniformity

Technical features

- Available in symmetrical and asymmetrical beam distributions
- Acrylic bowl and white polyester powder coated acrylic top canopy as standard
- 3mm thick aluminium LED mounting plate
- Die cast aluminium top cap heat sink
- Die cast aluminium spigot
- LEDs are covered by lenses with an outer bowl on the main fitting
- Cree XPG3 LEDs
- L70 B10 > 100,000hrs
- Colour rendering 770 (Ra)
- Less than 1% upward light output ratio
- Colour temperature 4000K as standard / 3000K optional
- Integral drivers
- Weight 18.2kg
- Windage 0.178m²

Dimensions (mm)



Applications

- Car park
- Amenity

Colour

- White canopy

Code	Wattage (W)	Symmetric / Asymmetric	No. of LED Modules	Lumen Output - 4000K (lm)	Power Factor	Luminous Efficacy (lm/W)	Running Current (mA)	No. of Drivers*
AL4501	302	Symmetric	8	32036	0.994	106	1050	2
AL4502	231.6	Asymmetric	6	24795	0.989	107	1050	2
AL4503	153.8	Symmetric	4	16946	0.994	110	1050	1
AL4504	117	Asymmetric	3	12723	0.990	109	1050	1
AL4505	172.5	Asymmetric	6	19426	0.961	111	1050	1