

AL61000 SERIES

S-LUM Gen 2

IP66



Abacus®

Leaders in Lighting



Benefits:

- Tool-less quick access latch
- Screw-less maintenance
- Durable die-cast aluminium housing
- Flexibility with vertical or horizontal spigot mounting
- Multiple optics

Key technical features:

- Controls; Dali, 1-10V, RF or PLC (specify at enquiry)
- Efficacy up to 152 lm/W
- Integrated 5 level dimming module (optional)
- Overheat protection
- Constant light output (optional)
- Time-dependant lumious flux control
- Power reduction; flexible lumious flux
- IP66 and IK09 rated
- Colour temperature 4000K as standard (options available)
- CRI ≥70 (80 optional)
- Power supply 100Vac - 277Vac
- Standard surge protection 6kV

Applications:

- Road
- Rail
- Open area
- Amenity

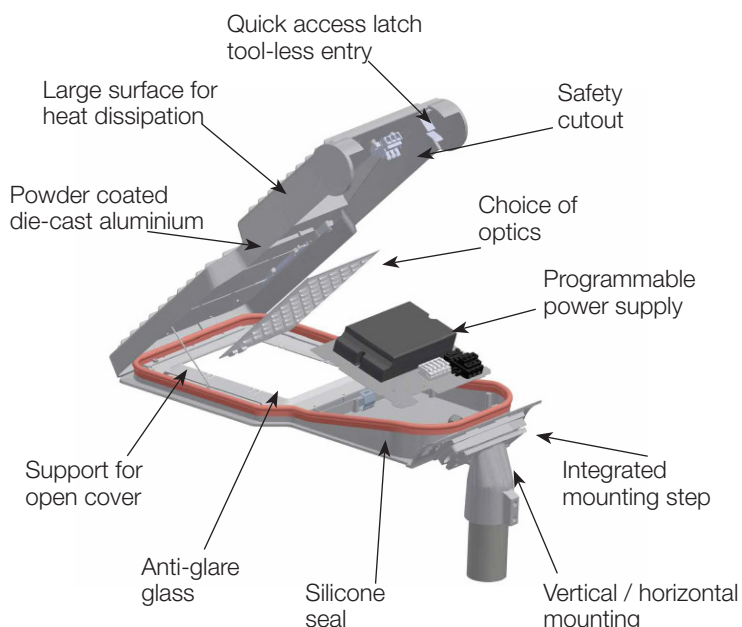
Colour:

- Grey (RAL 7037)

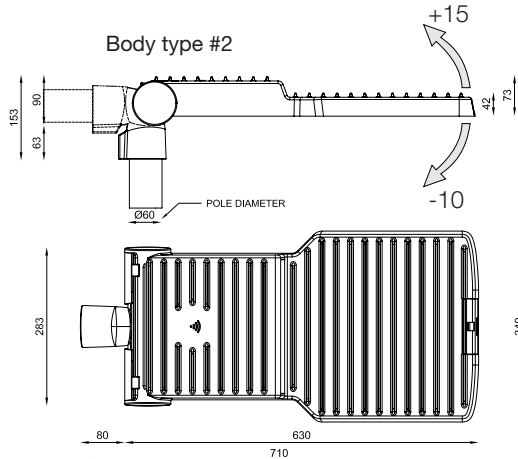
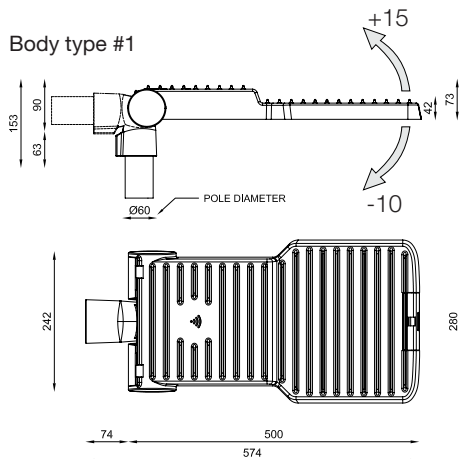
An innovative road lighting luminaire of modular construction designed with ease of maintenance in mind. Tool-less upgrades of key components such as power supply and light engine along with field-replaceable LED modules ensure the luminaire takes full advantage of future improvements in LED technology.

Constructed from high pressure die-cast aluminium, the AL61000 series is available in two body sizes and offers six standard lumen packages, from 4,150 to 20,120 lumens, and comes with six different optics.

With a lifetime of 100,000 hours (L80B10) combined with an efficacy of more than 152 lm/W, the AL61000 series keeps both operating and maintenance costs to an absolute minimum.



Dimensions



AL61000 SERIES

S-LUM Gen 2

Abacus®

Leaders in Lighting

Technical Specifications

Technical specification	Body type 1	Body type 2
Lifetime L80B10	> 100,000 hours	
Supply voltage	220Vac - 240Vac	
System efficiency	152 lm/W	
LED	12 - 16	28 - 48
Power (W)	30 - 55	60 - 135
Luminous flux (lm)	4,150 - 20,120	
Power factor	> 0.96	
Wind area (EPA)	0.0336m ²	0.0406m ²
CCT	4,000K as standard (other CCT available on request)	
Colour rendering (CRI)	≥ 70 (80 optional)	
Mechanical strength	IK09	
Protection class	IP66	
Additional surge protection	10 kV / 6 kV; additional SPD 10kV / 10kA	
Operating temperature	-40°C to +55°C	
Electrical class	Class I (Class II optional)	
Weight	6kg	9kg
Housing material	Aluminium	
Mounting	60mm or 76mm pole	
Tilt	-10° to +15° (horizontal and vertical installation)	
Certificates	IEC 60598-1:2014 (8 edition); IEC 60598-2-3:2002 + A1:2011; EN 60598-1:2015; EN 60598-2-3:2003 +A1:2011; IEC/EN 62031:2008+A1+A2; IEC/TR 62778:2014; EN60068-2-6: N60068-2-27: CE, ENEC, LM79, IES LM-82-12	
Guarantee	5 years on electronics, 10 years on mechanics, upon request	
Remote control	Optional RF or PLC, DALI 1-10V	



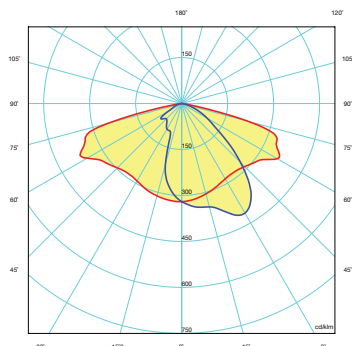
AL61000 SERIES

S-LUM Gen 2

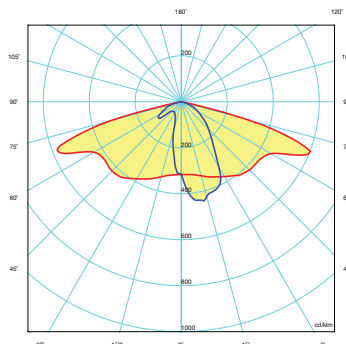
Abacus®

Leaders in Lighting

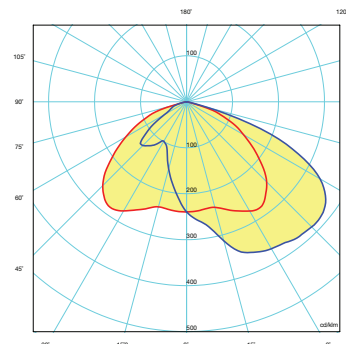
Photometric Data



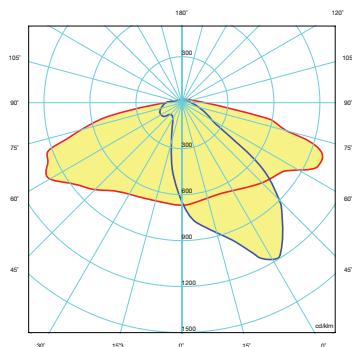
AL61001 - Suitable for larger distance between poles and high mounting installations. Higher uniformity factor



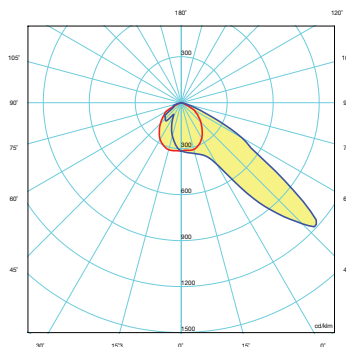
AL61002 - Suitable for narrower roadways across roads, cycling and pedestrian areas



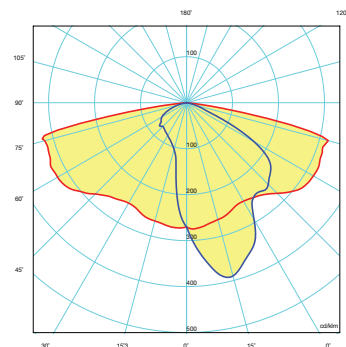
AL61003 - Suitable for wide roadways, parking spaces. Smaller distance between columns



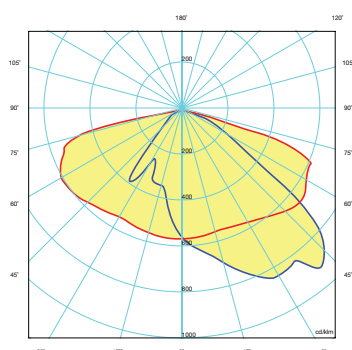
AL61004 - Suitable for wide roadways, larger distance between columns



AL61008 - For car parks with shorter distances between columns



AL61009 - For wide roads, greater distances between columns



AL61007 - For wide roads, greater distances between columns. High longitudinal uniformity factor



AL61000 SERIES

S-LUM Gen 2

Product Selection

Beam Type	Light distribution type
AL61001	Suitable for larger distance between poles and high mounting installations. Higher uniformity factor
AL61002	Suitable for narrower roadways across roads, cycling and pedestrian areas
AL61003	Suitable for wide roadways and parking spaces. Smaller distance between columns
AL61004	Suitable for wide roadways, larger distance between columns
AL61007	Suitable for wide roads, greater distances between columns. High longitudinal uniformity factor
AL61008	Suitable for car parks with shorter distances between columns
AL61009	Suitable for wide roads, greater distances between columns

Power (W)	Power supply	Body type	No. of LEDs	4K output	3K output	2.7K output
30	400	1	12	4560	4320	4150
40	400	1	16	6080	5760	5530
55	525	1	16	7870	7455	7120
60	400	2	24	9120	8640	8330
80	400	2	32	12150	11520	11100
100	490	2	32	14660	13900	13400
120	400	2	48	18220	17280	16660
135	440	2	48	20120	19080	18220

Beam Type	Power (W)	Colour Temperature (CCT)	Accessories
AL61001	30	4 = 4000K	PC = Photocell
AL61002	40	3 = 3000K	PL = PLC NEMA node
AL61003	55	2 = 2700K	RF = RF node
AL61004	60		
AL61007	80		
AL61008	100		
AL61009	120		
	135		

Example Product Selections:

