



The Areon bollard connects paths and outdoor areas. Two light distributions and three construction sizes enable nuanced lighting designs with just a single luminaire range. Its innovative optical lens creates either light distribution aligned at 180° to one side for paths, or 360° light distribution for open areas. The absence of upward light ensures that glare and the impact upon wildlife is minimized whilst providing maximum ground level lighting.

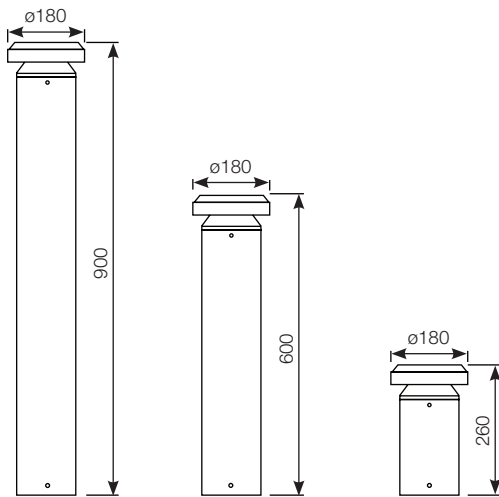
Technical features

- Corrosion-resistant aluminium profile and dual powder-coated.
- Available with 360° symmetrical or 180° asymmetric light distribution.
- Zero upward light

Colours available

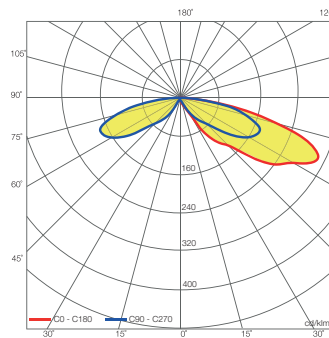
- Graphite Grey RAL7024 as standard

Dimensions (mm)

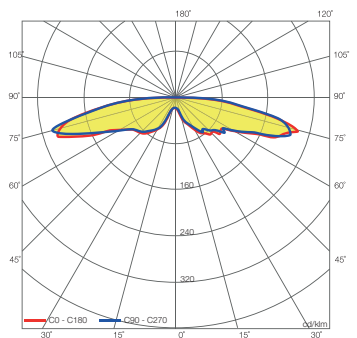


Optics

180° Asymmetric Beam



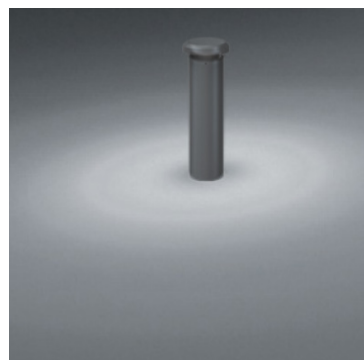
360° Symmetrical Beam



Optical features

- **Excellent visual comfort:** The full cut-off version eliminates luminous intensity for angles greater than 90°, directing the entire flux to the ground, in accordance with the most stringent constraints of the laws against pollution.
- **No shadow at the base:** Illuminate the horizontal plane by eliminating the shadow at the base and perfectly patterning the light, from the points closest to and farthest from the pole uniformly.
- **High luminous uniformity:** High luminous uniformity and high interdistance, obtaining a perfect effect with an efficient system, allowing a better and sustainable use of lighting.

360° display



180° display



Product Specification

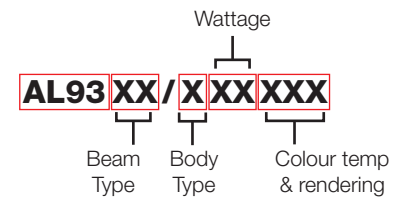
Power	6-40W
Lumens (delivered)	430-2400lm
Luminaire efficacy	70lm/W
CCT	4000K standard, other options available
CRI	83 Standard, 92 Optional
Beam angle	360° radial beam or 180° asymmetric
LED module	High power LEDs on metal core PCB
SDCM	< 3
Lumen maintenance	L90/B10 upto 45,000h
Dimming controls	DALI standard, other options available
Energy efficiency class	EEI A+++
IP rating	IP66
IK rating	IK10
Ambient operating temperature range	-20 - 40°C
Maximum wind load area	0.15m² (H=0.9m)

Beam/Wattage/Body Type Options

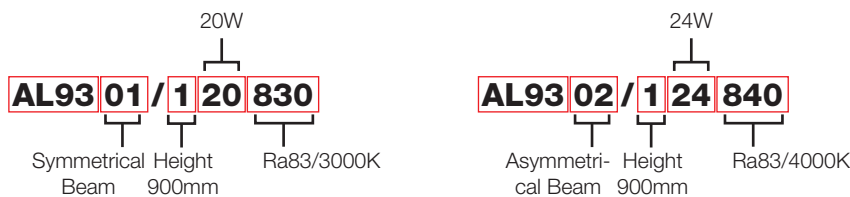
Beam type	Wattage (W)	Body Type
AL9302 = Asymmetric	06 = 6W	3 = Height 280
	12 = 12W	3 = Height 280
	15 = 15W	1 = Height 900
	20 = 20W	2 = Height 600
	24 = 24W	1 = Height 900
AL9301 = Symmetric	06 = 6W	3 = Height 280
	12 = 12W	3 = Height 280
	15 = 15W	1 = Height 900
	20 = 20W	2 = Height 600
	24 = 24W	1 = Height 900
	30 = 30W	2 = Height 600
	36 = 36W	1 = Height 900
	40 = 40W	1 = Height 900

Product Selection

Beam type*	Body Type*	Wattage (W)*	RA/CCT
AL9301 = Symmetric	1 = Height 900	06 = 6W	827 (Ra83/2700K)
AL9302 = Asymmetric	2 = Height 600	12 = 12W	830 (Ra83/3000K)
	3 = Height 280	15 = 15W	840 (Ra83/4000K)
		20 = 20W	Others available upon request.
		24 = 24W	
		30 = 30W	
		36 = 36W	
		40 = 40W	



Example Product Selections:



*See Beam/Wattage/Size Options for available combinations

