

AL7100 Challenger 3 LED

IP66

IK10

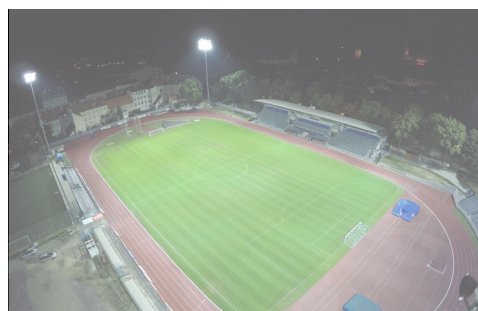
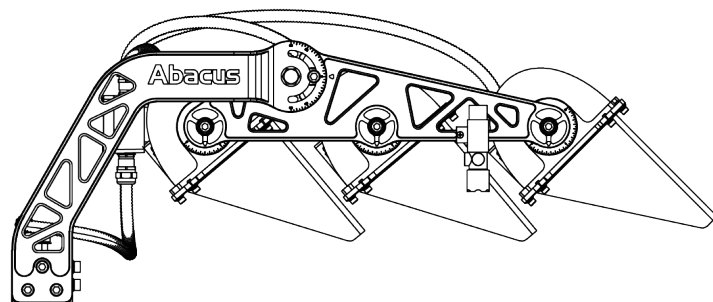
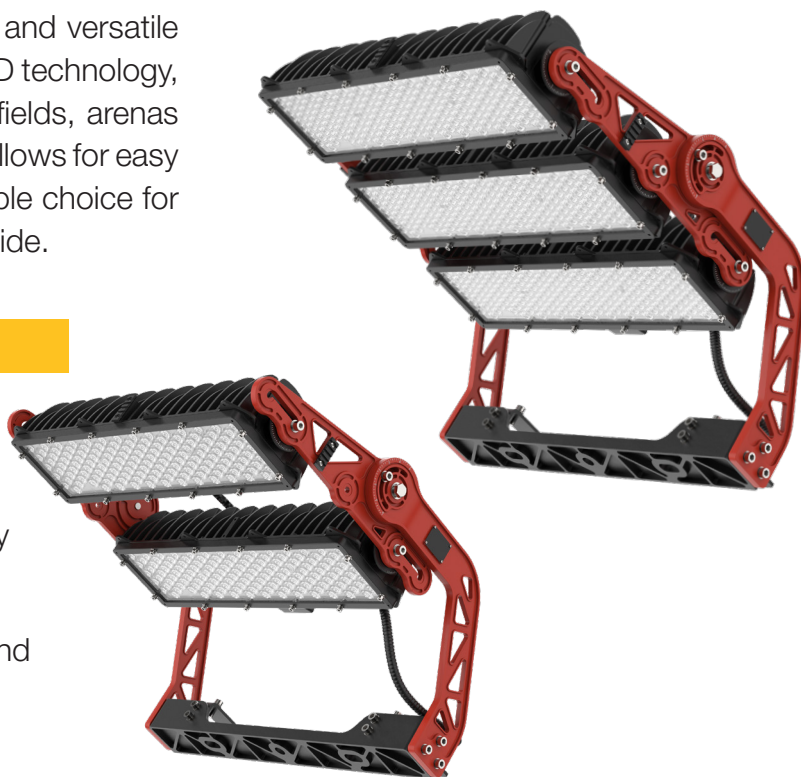
Abacus®

Leaders in Lighting

The Challenger 3 LED floodlight is a powerful and versatile lighting solution. With advanced optics and LED technology, it provides exceptional illumination for sports fields, arenas and large outdoor spaces. Its modular design allows for easy installation and maintenance, making it a reliable choice for high mast lighting solutions and stadia worldwide.

Key Features

- Advanced design reduces light pollution and improves spectator viewing
- Precise optical control designed specifically for sport
- Robust for all environments with an IP66 and IK10 rating
- Lens and lumen packages available in a versatile design for multiple applications
- Dali and DMX options
- Full cut off low spill design for control of light



AL7100 Challenger 3 LED

IP66

IK10

Abacus®

Leaders in Lighting

Technical Specifications

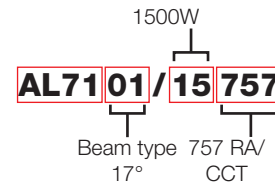
	Challenger 3 LED		
Power (W)	1000W	1500W	1800W
Weight (without driver)	25.7kg	33.8kg	33.8kg
Lumen output	up to 162,865	up to 244,298	up to 274,637
LED Chips numbers	224 pcs	120 pcs	288pcs
Light Efficiency	up to 159lm/W		
Beam angle	17°, 25° and 50° options available		
Colour Temperature	4000 - 6000K (5700 standard)		
Colour Rendering Index (CRI)	≥70 (≥90 optional)		
Colour	Heat Sink: Ral 9017, Bracket: Ral 9017 & Abacus red		
IP Rating	IP66		
IK Rating	IK10		
Operating Temperature Range	-40° - +40° (module)		
Module Adjustable angle	-20° - +90°		
Optional accessories	Front glass, DALI/DMX, Shields, Aiming device		
Driver information	1500W driver is 3ch. DALI2/DMX driver, 7.0kg (including mounting arrangements)		

Product Selection

Beam Type	Wattage (W)	RA/CCT
AL7101	10 = 1000W (2 module)	757 (Ra70/5700K)*
AL7102	15 = 1500W (3 module)	
AL7103	18 = 1800W (3 module)	

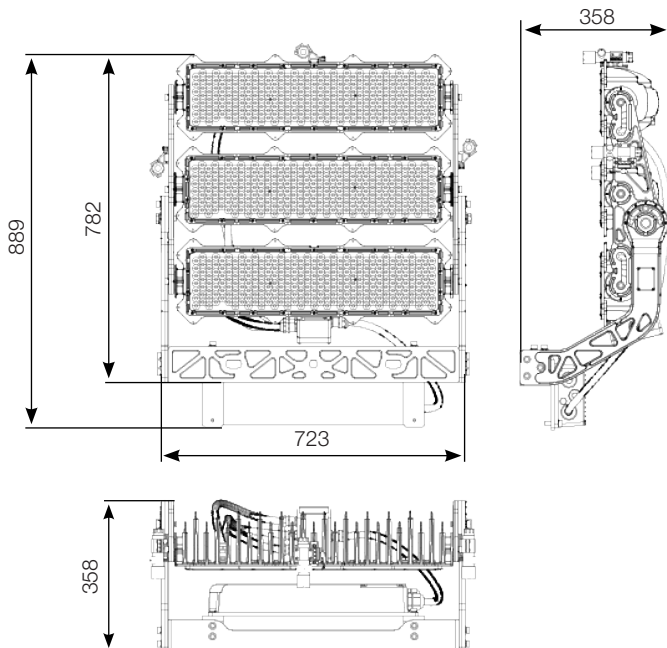
*Other options available upon request

Example Product Selection:



Dimensions (mm)

3 module:



2 module:

