

AL7200 Challenger Mako

IP66

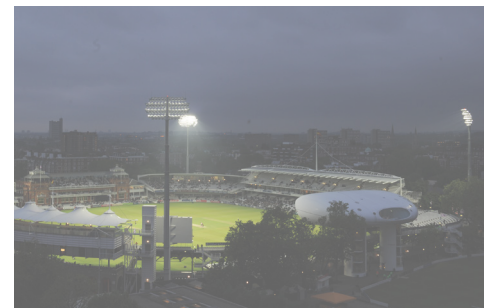
Abacus[®]

Leaders in Lighting



Key Features

- Unrivalled lumen to weight ratio providing the highest power output from the lowest possible weight.
- Lightweight fitting is ideal for sporting arena retrofit solutions when upgrading to LED
- 2 modules make up the combined weight of 33kg - equivalent to 2 metal halide luminaires
- No exposed cables
- Constructed from light weight and crash resistant automotive grade aluminium
- Optional RGB modules for interchangeable light
- Customisable scene control system
- Cloud connectivity for control from any location
- 10 year Warranty



AL7200 Challenger Mako

IP66

Abacus®

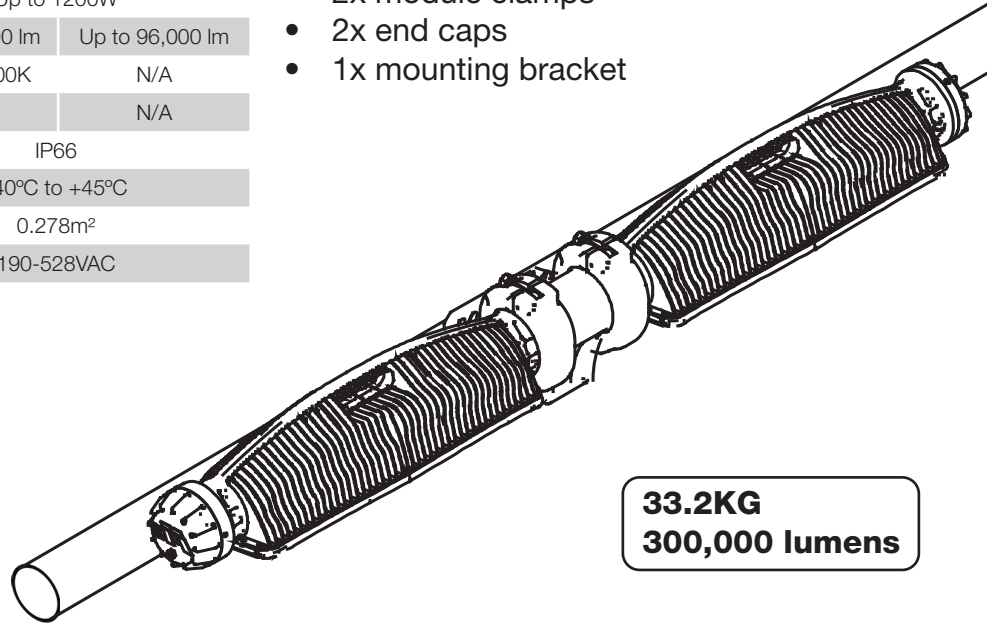
Leaders in Lighting

Module Technical Specifications

	White	RGB
Power (W)	Up to 1200W	
Luminous Output	Up to 150,000 lm	Up to 96,000 lm
Colour Temperature	5000K - 6000K	N/A
Colour Rendering Index (CRI)	70 - >90	N/A
IP Rating	IP66	
Operating Temperature Range	-40°C to +45°C	
Wind Area (2 module assembly)	0.278m²	
Driver Input Power	190-528VAC	

Typical 2 Module Assembly

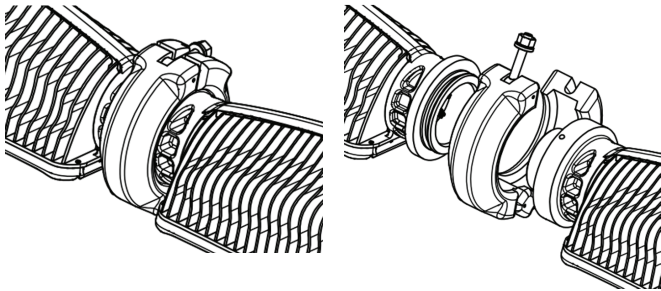
- 2x modules
- 2x module clamps
- 2x end caps
- 1x mounting bracket



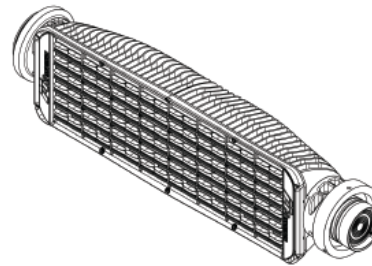
33.2KG
300,000 lumens

Components

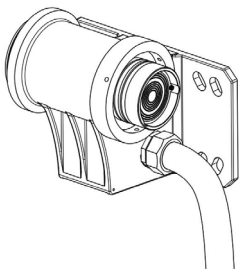
Module Clamp Assembly:



Module:



Mounting Bracket:



Driver:

