

# AL4700 Orion Pro LED

IP66

IK10

CE  
UK  
CA

# Abacus®

Leaders in Lighting

## An evolution of the Orion series

The Abacus Orion Pro LED floodlight stands out as a pioneering lighting solution, delivering efficient and high-quality illumination for a wide range of outdoor spaces. It excels in achieving British standard BS5489, making it ideal for retrofit projects. Thanks to its advanced LED technology, the Orion floodlight not only provides superior brightness but also achieves significant energy savings, contributing to a reduced environmental footprint.

With its high-output 360-degree light distribution and precise optics, the Orion Pro ensures excellent beam control, offering pinpoint lighting precision while minimising light pollution. Overall, the Abacus Orion Pro represents a sustainable and dependable lighting solution that seamlessly integrates performance, durability, and energy efficiency.



### Key Features

- Direct retrofit to twin lamp 400W Orion 1
- Available in 180° asymmetrical and 360° symmetrical beam distributions
- Low profile, sleek design
- Less than 1% upward light
- IP66 and IK10 rated
- 2 Zhaga interfaces for flexibility
- DALI 2 and D4i as standard
- Integrated spigot - 76mm or 89mm shaft compatible

- Colour temperature 4000K as standard (other options available)
- Up to 50°C high ambient temperature on request
- White polyester powder coated canopy & spigot
- Dimmable lumen output to suit designs

### Applications

- Retail
- Open area
- Car parks
- Amenity



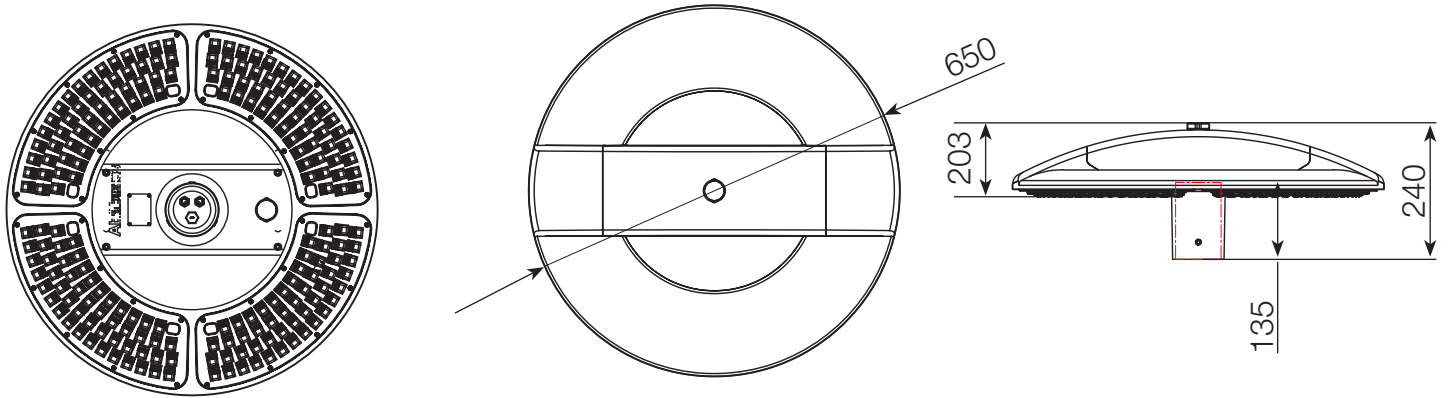
# AL4700 Orion Pro LED



# Abacus®

Leaders in Lighting

## Dimensions



## Technical Specifications

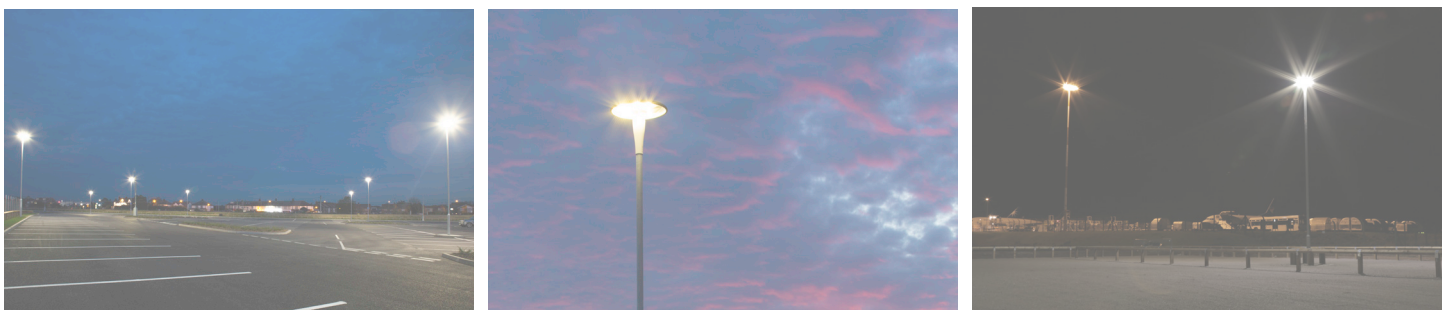
Technical specification	125W	250W	500W
Luminous Flux	20,000 lm	40,000 lm	72,000 lm
Colour Temperature	4000K (other options available on request)		
Colour Rendering Index (CRI)	Ra70 (Ra80 optional)		
Colours	White: RAL9003 alternative colour options available on request		
Lifetime	L90B10 > 80,000hrs @25deg ambient		
Dimension	650mm x 203mm		
Weight	13kg ±10%		
Working Temperature	-30°C ~ 40°C (50°C optional)		
IP Rating	IP66		
IK Rating	IK10		
Max spigot length	135mm		
Spigot diameter lengthes	76mm/89mm		
Windage	0.0735m²		

## Spacings and Sample Levels

Height	Spacing	250W 40,000lm		
		Ave	Min	min/ave
6m	40	22	7	0.32
	55	11	1	0.09
8m	40	21	11	0.52
	55	11	3	0.27

Height	Spacing	500W 72,000lm		
		Ave	Min	min/ave
10m	55	20	9	0.45
	70	13	4	0.31
12m	55	20	11	0.55
	70	13	5	0.38



# AL4700 Orion Pro LED

IP66

IK10

CE  
UK  
CA

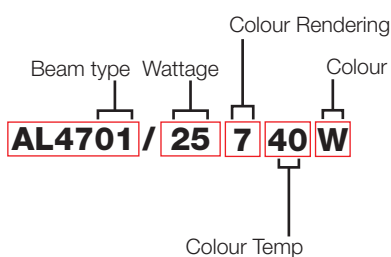
# Abacus®

Leaders in Lighting

## Product Code Selection

Beam Type & Power	Wattage	Colour rendering	Colour Temperature	Colour
AL4701 Symmetric	<b>12</b> = 125W	<b>7</b> = (Ra70)	<b>30</b> = (3000K)	White: RAL9003
AL4702 Asymmetric	<b>25</b> = 250W	<b>8</b> = (Ra80)	<b>40</b> = (4000K)	
	<b>50</b> = 500W <i>(symmetric only)</i>			

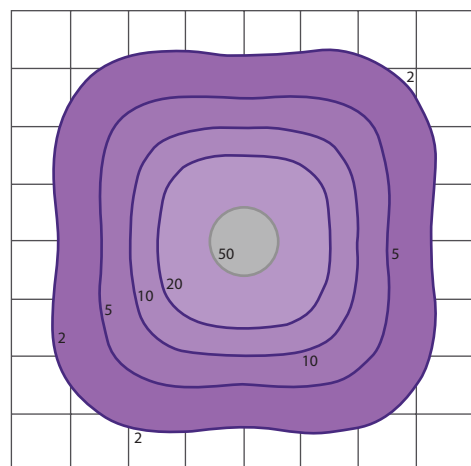
### Example Product Selection:



## Distribution

### Symmetrical Distribution

AL4701



### Asymmetrical Distribution

AL4702

