

Revati
AL60601
 Full cutoff wall mounted luminaire
 IP66

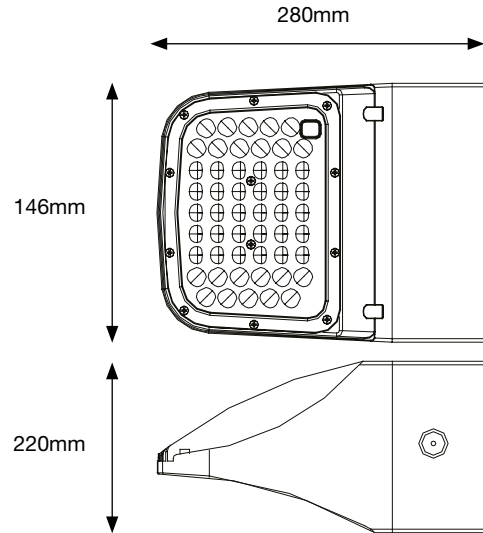


In association with QSSI

A compact full cutoff wall mounted luminaire available in two Wattages. With a specially designed wide forward throw optical distribution, it replaces an HID lighting system of up to 150W MH or HPS.

Typical applications include; rail, ports, warehouses, retail and amenity.

Mounting heights between 3 - 8 metres can be used based on light level and uniformity requirements.



Key technical features:

- Die cast aluminium housing with full cutoff front frame, integral heat sink and driver compartment.
- Twist-lock photocell / smart controls adaptable.
- Nickel-plated stainless steel hardware.
- Black (RAL 9005) powdercoat finish over a chromate conversion coating.
- Clear one-piece molded Type IV polycarbonate lens.
- Includes Easy-Hang wall mounting bracket with built-in level. Optional trim plate is available for use in retrofit applications to cover wall surface blemishes.
- Electronic driver, 120-277V, 50/60Hz; Power factor >0.90. Standard internal surge protection is 2kV for 25W, 6kV for 37W. 0-10V dimming as standard.
- CE: Listed for wet locations.
- IP66 sealed LED compartment.
- 5-year warranty.
- Designed to operate in -40°C to +50°C environment.
- CRI: 80
- CCT: 4,000K (standard) & 5,000K
- L90 (25°C ambient): >100,000 hours

Accessories & Replacement Parts:



Aluminium trim plate, black powdercoat finish. Shown mounted.



Bronze polycarbonate housing for installing sensors, includes sensor bracket and gasket.



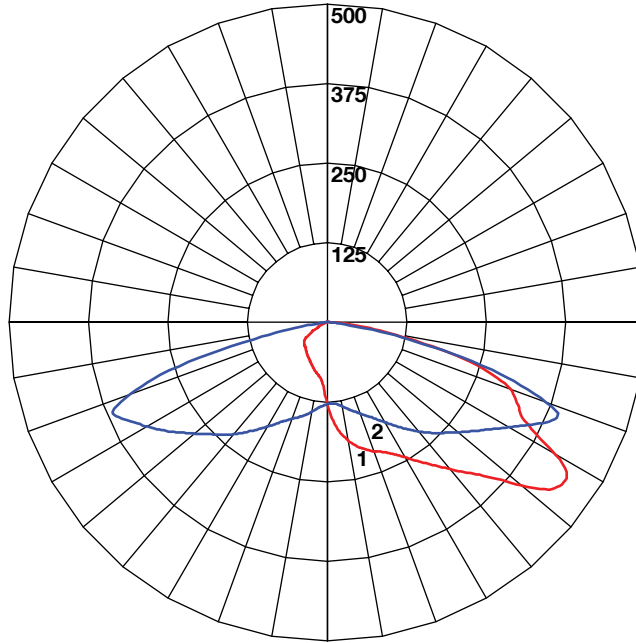
Internal microwave sensor with dimming, 120-277VAC, 50/60Hz.



Twist-lock 120-277VAC Photocell

Revati
AL60601
 Full cutoff wall mounted luminaire
 IP66

Photometric data:



AL60601

Maximum cd/klm = 498.714 Located at horizontal angle = 30, vertical angle = 59.5

#1 - Vertical plane through horizontal angles (0 - 180)

#2 - Vertical plane through horizontal angles (90 - 270)

Photometric performance:

Item #	Driver current (mA)	Wattage	Optics	4,000 CCT 80 CRI		5,000 CCT 80 CRI	
				Lumen output	Llm/cW	Lumen output	Llm/cW
AL60601	525	28	Type IV	3,147	112	3,420	122
		42		4,454	106	4,599	110